










# Installation Instructions Trektop NX

## Vehicle Application:

- Jeep Wrangler TJ  
1997 – 2006  
Part Number: 56820

[www.Bestop.com](http://www.Bestop.com) - We're here to help! Visit our web site and click on "Ask a Question". Click here for more [Jeep® Accessories by Bestop.](#)

INSTALLATION TIME	SKILL LEVEL
 <b>2 Hours</b>	 <b>2 - Moderately Easy</b>

TOOLS			
 Safety Glasses	 Phillips Screwdriver	 Power Drill 1/8" Bit	 Silicone Sealant
 Utility Knife			



### Installation Tips

**Before you begin installing this assembly, read all instructions thoroughly.**

#### For a smooth fit:

For ease in installation, the product should be installed at temperatures above 72° F. Below this temperature, the fabric may contract an inch or more, making it difficult to fit to the vehicle. It is normal for fabric to contract and wrinkle when stored in the shipping carton. Within a few days after installation, the fabric will relax and the wrinkles will disappear.



### CAUTION

Safety glasses should be worn at all times while installing this product.



### WARNING

This product is designed primarily to enhance the appearance of the vehicle and to shield the occupants from ordinary weather conditions. Do not rely in any way on the components of this product to contain occupants within the vehicle, or to protect against injury or death in the event of an accident. This product will not protect the occupants from falling objects. Never operate the vehicle in excess of manufacturer's specifications.

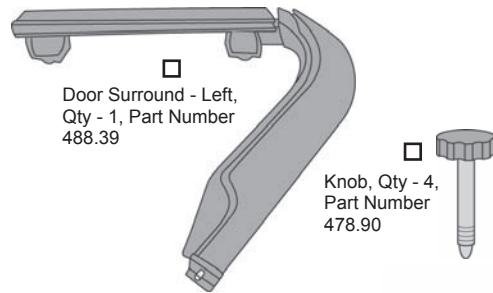
### WEAR SEAT BELTS AT ALL TIMES

Read and follow, precisely, all installation instructions provided when installing product. Failure to do so may result in a poor fit and could place occupants of the vehicle in a potentially dangerous situation.

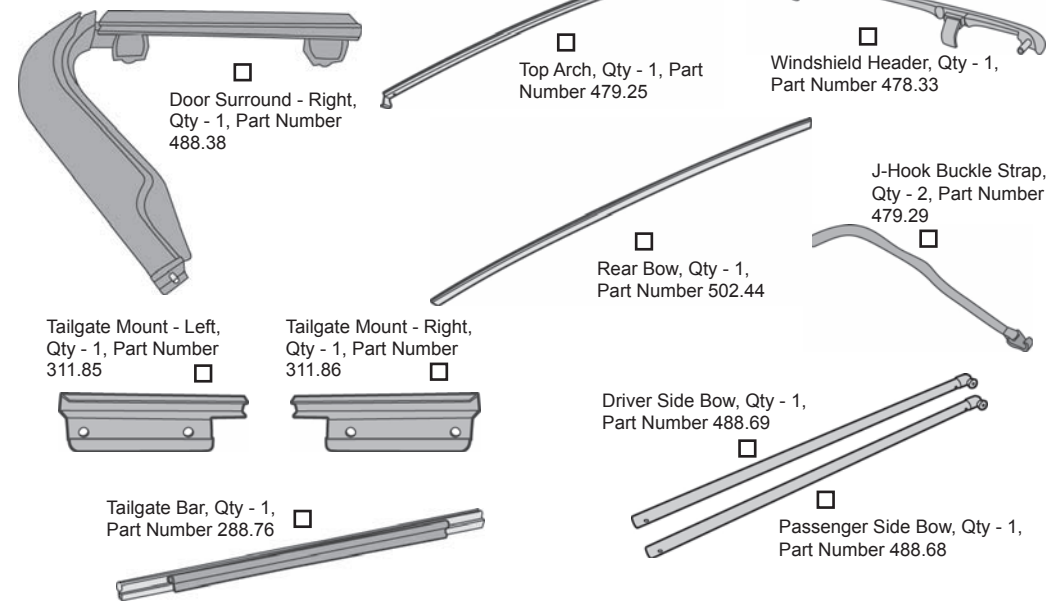
# Trektop NX Installation Instructions

## Parts List and Hardware Identification

Fabric Top	Qty - 1
Quarter Window, Right	Qty - 1
Quarter Window, Left	Qty - 1
Rear Window	Qty - 1

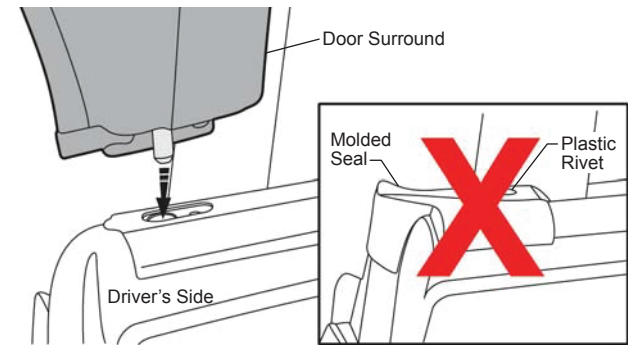


#8 x 1/2" Pan Head Washer Screw - Black, Qty - 4, Part Number 200.48	
#8 x 5/8" Pan Head Screw, Qty - 8, Part Number 278.13	
Oval Head Screw, Qty - 2, Part Number 276.56	
#12 x 3/8" Pan Head Zinc Screw, Qty - 4, Part Number 309.73	



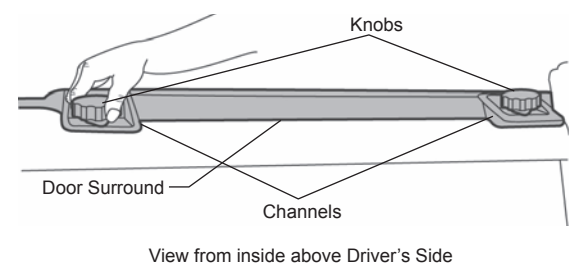
## 1 Install Door Surrounds

Remove the hard top. If your vehicle has molded seals on the belt rail, remove them by pulling up on the plastic rivet. Locate the left and right Door Surrounds. Insert the pin in the bottom of the Door Surround into the hole in the belt rail behind the door.



## 2 Install Door Surround Knobs

Press the channels along the top of the Door Surround around the horizontal sport bar, above the door opening. Insert two Knobs into the Door Surround and tighten them down.

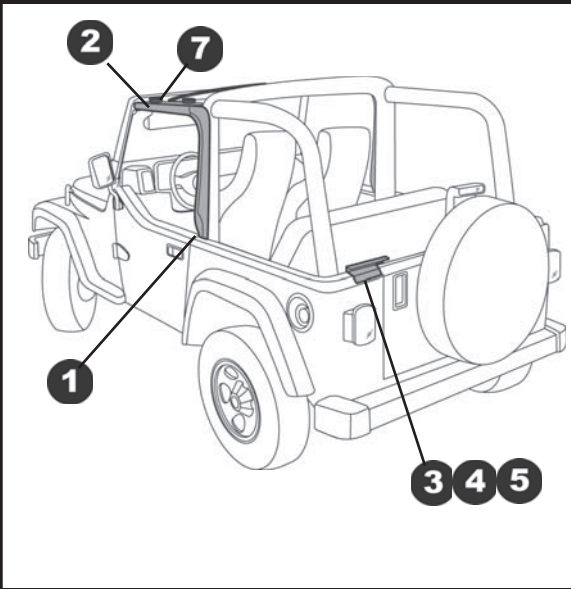
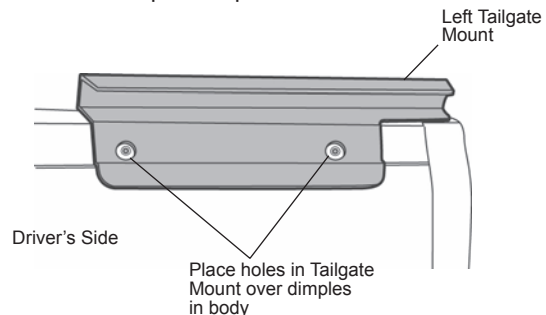


# Trektop NX Installation Instructions

## 3 Orient Tailgate Mounts

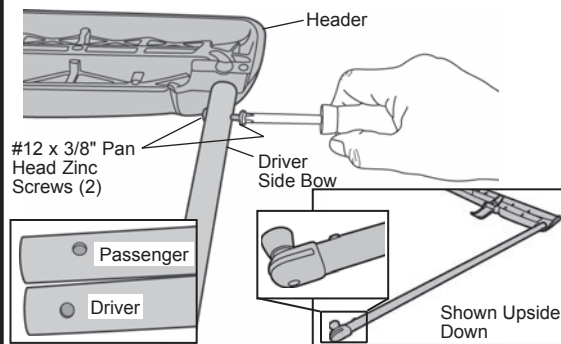
Locate the left and right Tailgate Mounts. Place the holes in the mounts over the dimples in the vehicle body. Mark the hole locations.

**NOTE** If you already have holes that line up, skip to Step 5.



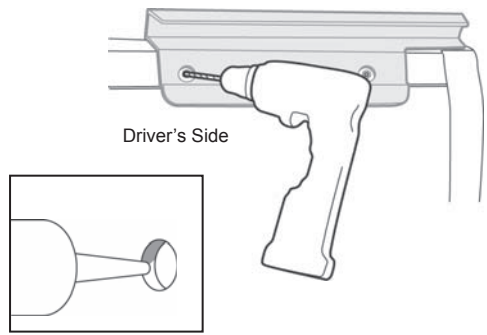
## 6 Assemble Side Bows to Header

Lay the Header upside down. Match the holes in the Side Bows with the holes in the Header. Orient the so the knobs point inward. Slide the Bows over the pins on each side of the Header. Use two (2) #12 x 3/8" Pan Head Zinc Screws to secure each Side Bow to the Header.



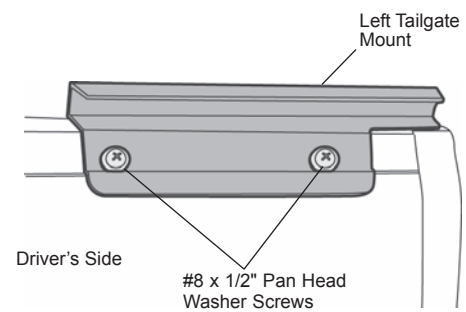
## 4 Drill Holes

Drill a 1/8" hole at the marked locations. Deburr the holes and seal the edges of the holes with Silicone Sealant.



## 5 Install Tailgate Mounts

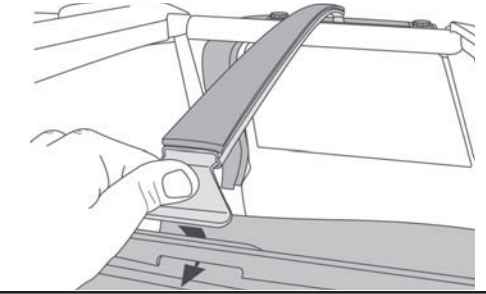
Install the Tailgate Mounts with two #8 x 1/2" Pan Head Washer Screws for each mount.



## 7 Install Top Arch

Insert one end of the top arch in to the slot in the middle of one of the Door Surrounds. Push the other end inward to flex the bow and insert it into the slot on the other side of the vehicle.

**NOTE** Remove adhesive paper from Top Arch before installing.

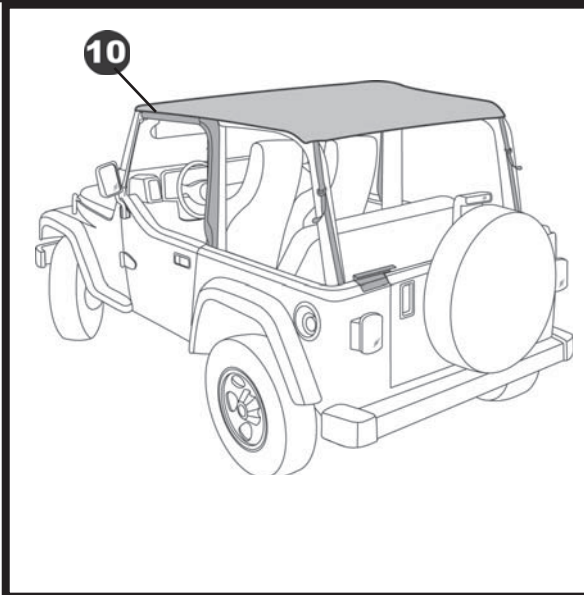
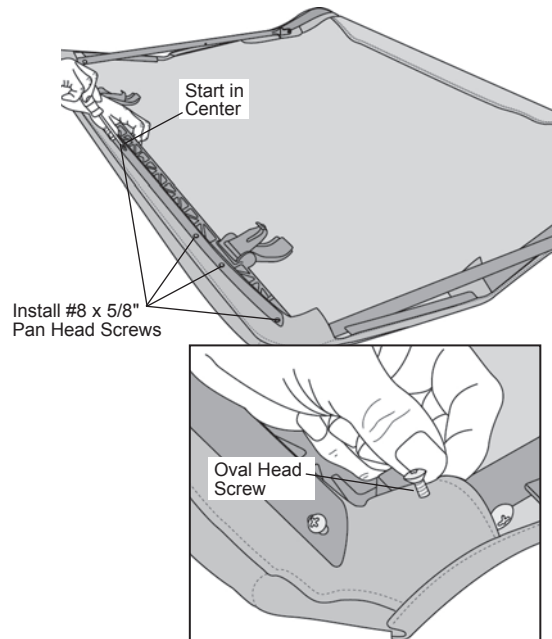


# Trektop NX Installation Instructions

## 8 Install Top Fabric on Header

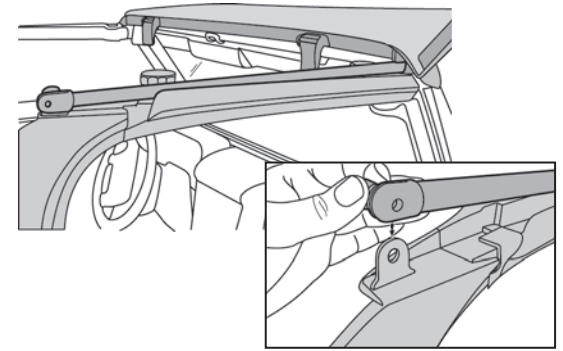
Lay the top fabric, backing side up and aligned with the front edge of the Header. Use a utility knife to slit the fabric over each screw position. Locate the round hole that marks the center of the plastic strip (all other holes are slotted). Install a #8 x 5/8" Pan Head Screw in the round hole to secure the fabric to the header as well as to center the top. Then install #8 x 5/8" Pan Head Screws in the remaining seven holes along the front of the header.

Install an Oval Head Screw in the outside holes on each side of the Header.



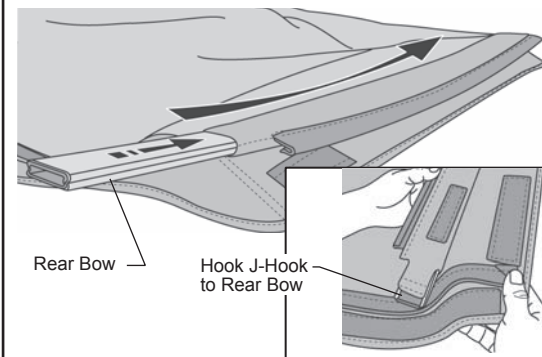
## 10 Mount Header Assembly to Door Surround

Fold the Top Fabric toward the front of the Header. Place the Header on the vehicle. Pull the release knob on the Side Bow and insert the pin into the Door Surround Bracket. Repeat on the other side of the vehicle.



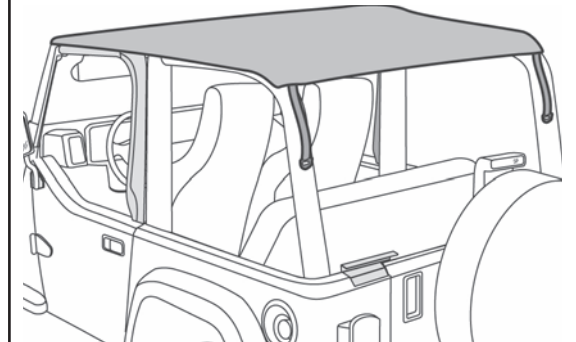
## 9 Install Rear Bow

Slide the Rear Bow into the pocket inside the rear of the Top Fabric. Secure the J-Hooks on the rear bow flaps to the ends of the Rear Bow.



## 11 Drape Top Fabric Over Vehicle

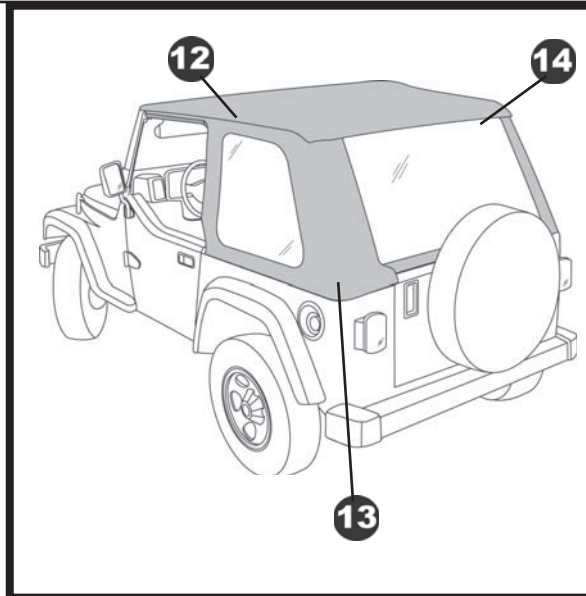
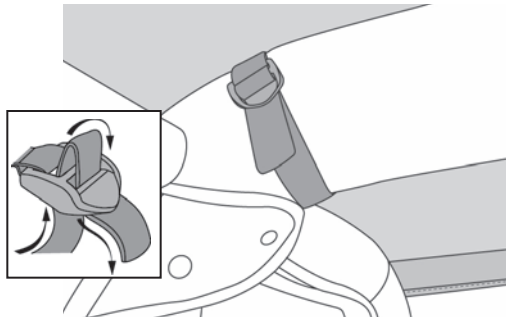
Pull the Top Fabric back over the Top Arch and sport bar.



## Trektop NX Installation Instructions

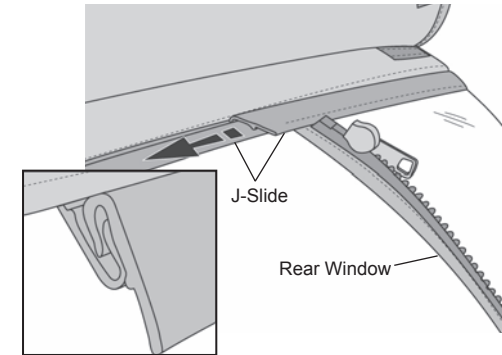
### 12 Secure Straps to Sport Bar

Loosen the speaker pod. Slip the straps between the speaker pod and the sport bar. Wrap the straps around the sport bar on each side of the vehicle. Thread the ends of the straps through the buckles and tighten. Tighten the speaker pod.



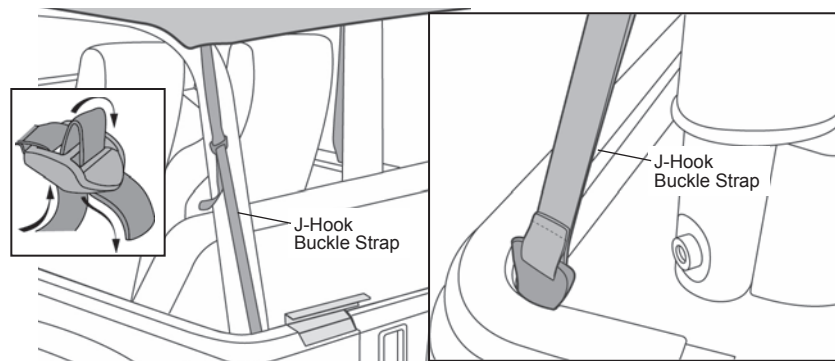
### 14 Install Rear Window

Orient the Rear Window with the plastic J-slide toward the top. Align the J-slide with the J-slide sewn into the rear of the Top. Slide them together until the Rear Window is centered in the opening and you feel or hear the J-slides snap together.



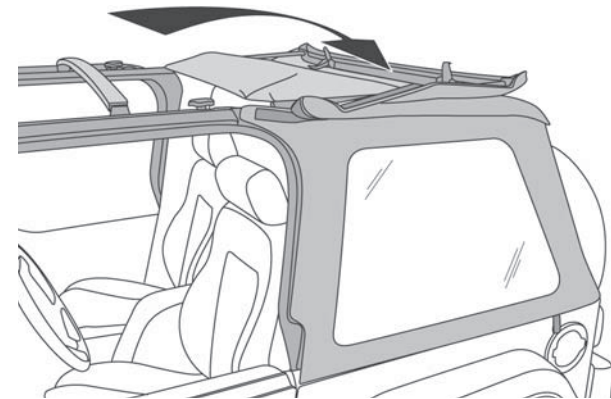
### 13 Secure Rear Straps

Thread a J-Hook Buckle Strap through the buckle on one of the rear straps. Hook the strap to the ledge inside the rear corner of the vehicle. Repeat on both sides of the vehicle.



### 15 Open Sun Rider

Open the Sun Rider to make it easier to install the Quarter Windows and the Rear Window.

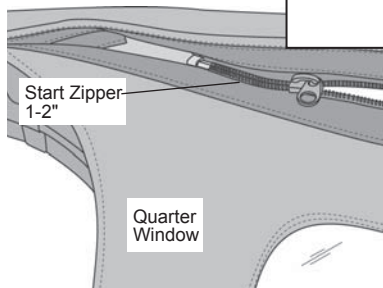
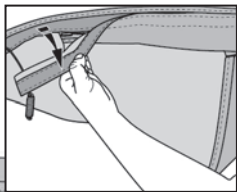


## Trektop NX Installation Instructions

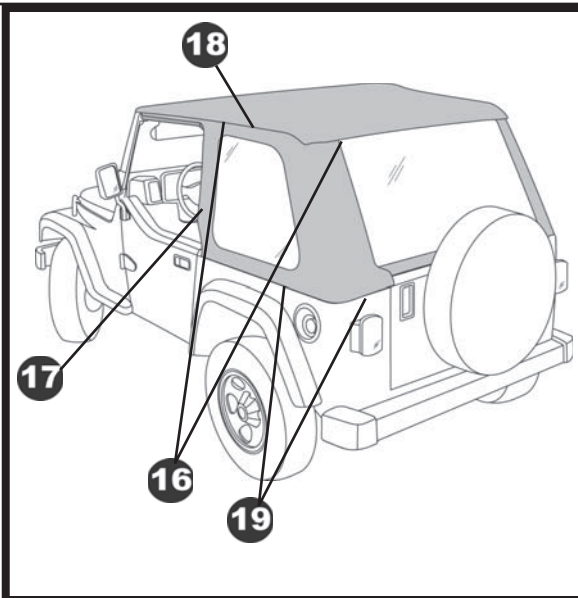
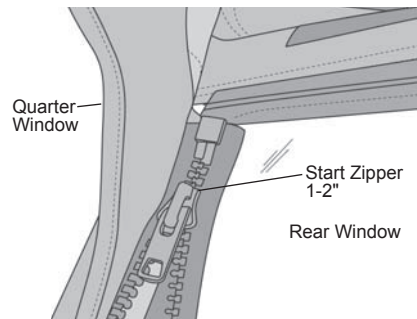
### 16 Install Quarter Windows

Separate the protective flap covering the hook strip on the side of the Deck. Open the flap toward the inside of the vehicle.

Start the zipper along the top of the Quarter Window with the zipper in the Top. Only close the zipper 1-2". Repeat with the rear zipper and the zipper on the Rear Window. Repeat with both Quarter Windows.

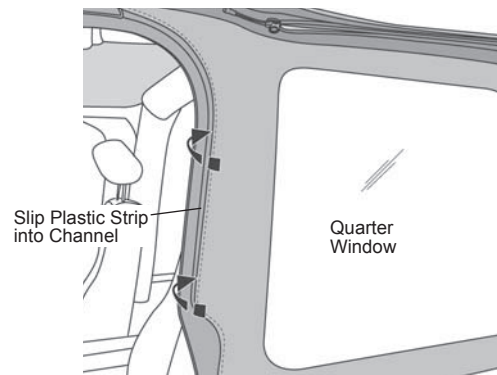


Driver's Side Shown



### 17 Secure Quarter Windows to Door Surrounds

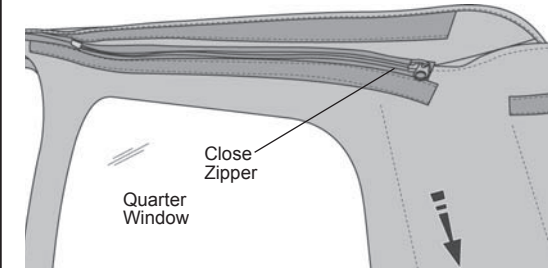
Slip the plastic strip on the front of a Quarter Window into the channel in the Door Surround. Repeat with both Quarter Windows.



### 18 Close Upper Zipper on Quarter Windows

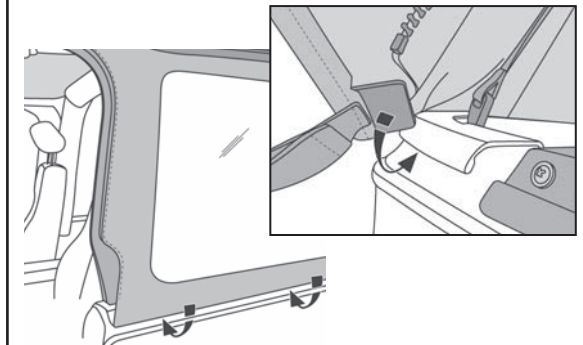
Close the zippers along the top of each Quarter Window.

**NOTE** Push Plastic Reinforcement down to make it easier to close zipper.



### 19 Secure Quarter Windows to Belt Rails

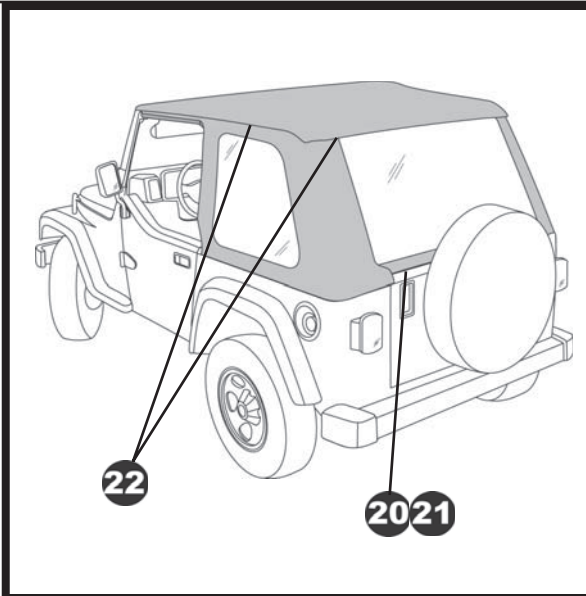
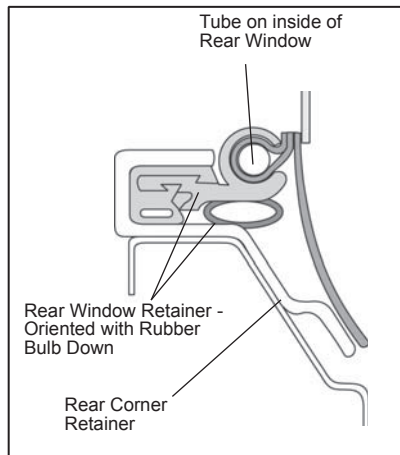
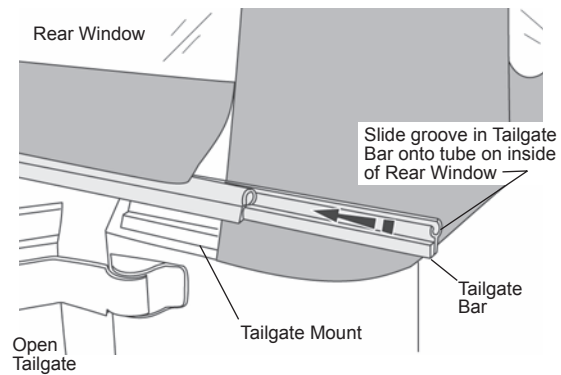
Slip the plastic strip along the bottom of the Quarter Windows into the channel in the belt rail on each side of the vehicle.



# Trektop NX Installation Instructions

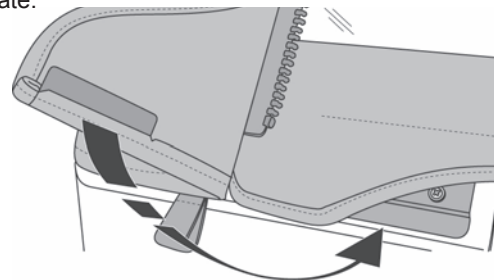
## 20 Install Tailgate Bar

Open the tailgate. Orient the Tailgate Bar with the rubber bulb facing down, in order to form a seal with the top of the tailgate. Slide the groove in the Tailgate Bar onto the tube inside the bottom of the Rear Window. Roll the Tailgate Bar into the top of the Tailgate Mounts. Close the Rear Window zippers.



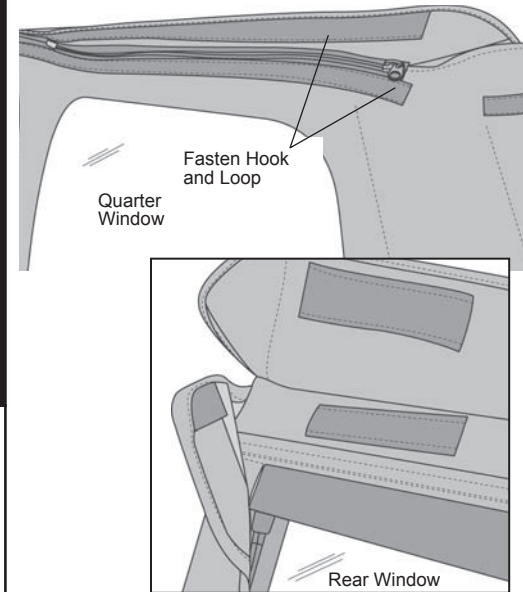
## 21 Secure Rear Window to Tailgate Mounts

Slip the plastic strips along the bottom of the Rear Window into the channel in the Tailgate Mounts on each side of the tailgate. Wrap the Quarter Windows over the Rear Window and slip the plastic strips on each Quarter Window into the channel in the Tailgate Mounts on each side of the tailgate.



## 22 Secure Top Fabric to Quarter Windows

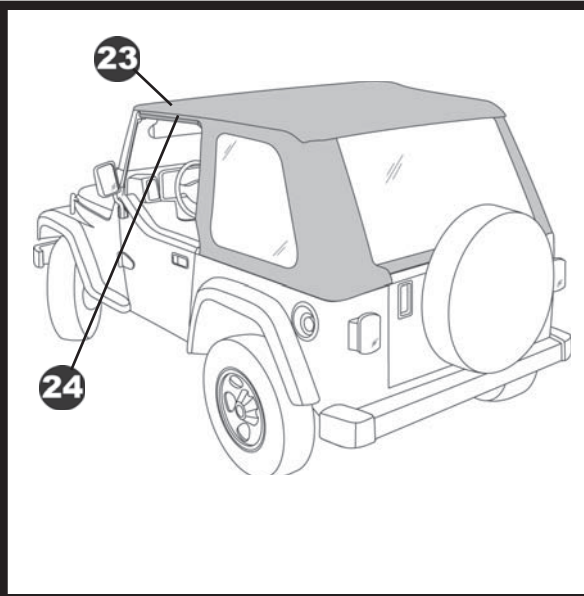
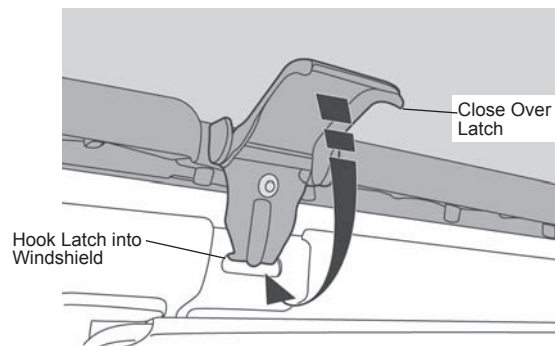
Fasten the loop strip sewn inside the Top to the hook strip along the top of the Quarter Window on each side of the vehicle.



## Trektop NX Installation Instructions

### 23 Secure Header to Windshield

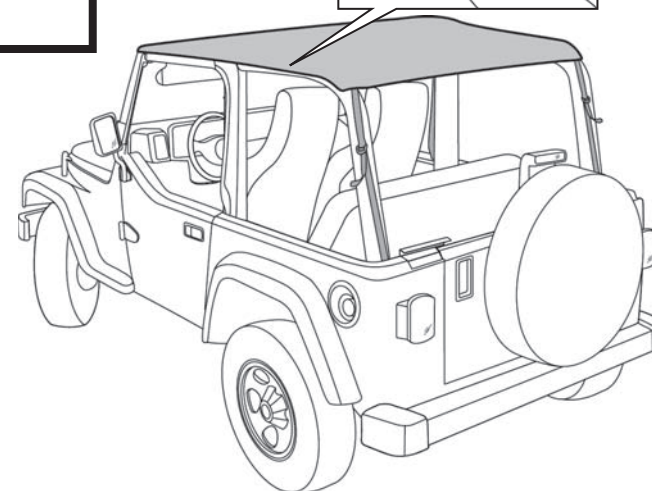
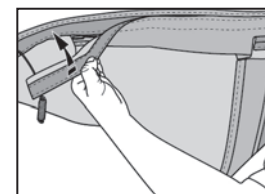
Hook the latches on the Header into the holes in the windshield and close them.



**! WARNING** When operating the vehicle without the Quarter Windows, the Rear Window should be removed for proper ventilation.

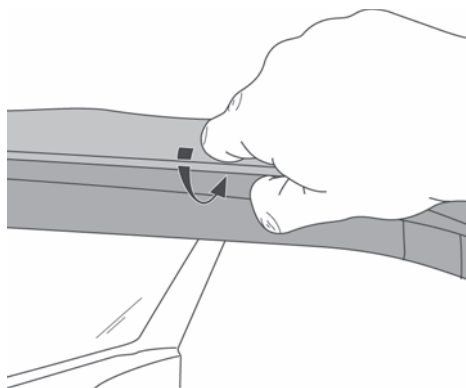
### 25 To Use Trektop NX as a Bikini

Your Bestop Trektop NX can be used as a Bikini by removing the Quarter Windows and Rear Window and storing them carefully. Fold the protective flaps over to engage the hook and loop tape.



### 24 Secure Top Fabric to Door Surround

Slip the plastic strips above the doors into the channel in the Door Surround on each side of the vehicle.





## Trektop NX Installation Instructions

---

### Care and Maintenance of your Bestop Product

Your Bestop product is made of the finest materials available. To keep it looking new and for the maximum possible wear, it will need periodic cleaning and maintenance.

**Fabric:** The fabric should be washed often using soap, warm water and a soft bristle brush. Rinse with clear water to remove all traces of soap. Bestop recommends using Bestop Cleaner (part no. 11201-00) and Bestop Protectant (part no. 11202-00). Bestop Cleaner and Bestop protectant are specially formulated to provide a total cleaning and protection system. Bestop Cleaner safely removes the toughest stains, will not harm vehicle finishes, is biodegradable and environmentally friendly. Bestop Protectant protects against UV-fading, cracking and hardening, and repels dust, grease, dirt and mildew.

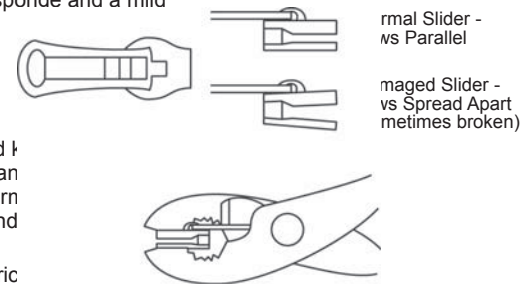
**Windows:** Keep windows clean to avoid scratching. DO NOT use a brush on the windows! Wash with a water-soaked cloth or sponge and a mild dishwashing detergent. Bestop recommends Bestop Vinyl Window Cleaner (part no. 11203-00), which safely cleans and protects vinyl windows and helps prevent UV damage. NEVER WIPE THE WINDOWS WHEN THEY ARE DRY. Be careful when cleaning snow or frost from the vinyl windows since they are easily scratched and may crack at low temperatures. DO NOT roll the sides or rear window in cold weather. The windows become stiff and will crack. Cracks caused by misuse in cold temperatures are not covered under warranty.

**Zippers:** Keeping zippers cleaned and lubricated with Bestop's Zipper Cleaner (part no. 11206-00) will help prevent damage and keep zippers in smooth working condition. If a zipper opens behind the slider, the slider may have been spread apart. This problem can be repaired by using an ordinary pair of pliers to bring the sides back into parallel. Return slider to the end of the zipper in the normal position. Squeeze lightly at first and test the zipper. If the zipper continues to remain open squeeze more firmly with the pliers and zipper again. Repeat this procedure until the zipper operates correctly.

**Water:** Seeping through at the seams may be stopped by applying 3-M Scotchgard® on the inside of the seams. Rips in the fabric repaired with Bondex® iron on patches. Iron the patches to the inside of the top, carefully following the Bondex® instructions.

**Snaps:** Keep snaps cleaned and lubricated with silicone to help prevent snaps from sticking to the studs. If a snap does become stuck to a stud, use a screwdriver and GENTLY pry apart to prevent permanent damage to the snap or the top fabric.

---



For further information or request for warranty work, please contact:

Bestop Inc., Customer Service  
Toll-Free: (800) 845-3567  
Main: (303) 465-1755  
E-mail: [csbestop@Bestop.com](mailto:csbestop@Bestop.com)  
Website: [www.Bestop.com](http://www.Bestop.com)



