



# Installation Instructions SUPERTOP NX

Vehicle Application  
Jeep Wrangler JK 2007-2018  
Part Number 54722

## Installation Tips

Before you begin installing your new Supertop NX, please read all the instructions thoroughly.

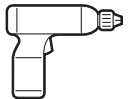





### For a smooth fit:


For easier installation, the top should be installed at a temperature above 72° F. Below this temperature, the fabric may contract an inch or more, making it difficult to fit the vehicle.

It is normal for the fabric to contract and wrinkle when stored in the shipping carton. Within a few days after installation, the fabric will relax and the wrinkles will disappear.

**CAUTION** Safety glasses should be worn at all times when installing this product.



Tools			
			
Drill-Driver & #2 Phillips Bit	#2 Phillips Screwdriver	T30 Torx Driver	Vise-Grips
			
Adjustable Wrench	Safety Glasses		

Installation Time
 4 Hours

Skill Level
<div style="display: flex; justify-content: space-around; align-items: center;"> <div style="border: 1px solid black; border-radius: 50%; width: 30px; height: 30px; display: flex; align-items: center; justify-content: center;">1</div> <div style="border: 1px solid black; border-radius: 50%; width: 30px; height: 30px; display: flex; align-items: center; justify-content: center;">2</div> <div style="border: 2px solid black; border-radius: 50%; width: 30px; height: 30px; display: flex; align-items: center; justify-content: center;">3</div> <div style="border: 1px solid black; border-radius: 50%; width: 30px; height: 30px; display: flex; align-items: center; justify-content: center;">4</div> </div> <p>3 - Moderately Difficult</p>

Support
<p>We're here to help! Go to <a href="http://www.Bestop.com">www.Bestop.com</a> and click "Contact Us"</p>
<div style="display: flex; align-items: center;">  <div style="margin-left: 10px;"> <p>See a video showing installation of this top at <a href="http://www.bestop.com/video">www.bestop.com/video</a></p> </div> </div>

**WARNING** This product is designed primarily to enhance the appearance of the vehicle and to shield the occupants from ordinary weather conditions. Do not rely in any way on the components of this product to contain occupants within the vehicle, or to protect against injury or death in the event of an accident. This product will not protect the occupants from falling objects. Never operate the vehicle in excess of manufacturer's specifications.

### WEAR SEAT BELTS AT ALL TIMES

Read and follow, precisely, all installation instructions provided when installing this product. Failure to do so may result in a poor fit and could place occupants of the vehicle in a potentially dangerous situation.



## Sugerencias de Instalación

**Antes de empezar a instalar esta unidad, lea atentamente todas las instrucciones.**

**Para un buen ajuste:**

Para facilitar la instalación, el producto debe instalarse a temperaturas superiores a 72 °F (22 °C).

Por debajo de esta temperatura, la tela puede encogerse una pulgada o más, lo que dificultaría su ajuste al vehículo.

Es normal que la tela se contraiga o arrugue cuando está guardada en la caja de empaque. A los pocos días después de la instalación, la tela se relajará y las arrugas desaparecerán.



### ADVERTENCIA

Este producto se diseñó principalmente para mejorar la apariencia del vehículo y proteger a los ocupantes de las condiciones climáticas comunes. De ninguna manera piense que los componentes de este producto pueden servir como medio de contención para los ocupantes del vehículo o que pueden protegerlos contra lesiones o la muerte en caso de accidente. Este producto no protegerá a los ocupantes contra caídas de objetos. Nunca conduzca este vehículo fuera de las especificaciones del fabricante.

### USE LOS CINTURONES DE SEGURIDAD EN TODO MOMENTO

Lea y siga con precisión todas las instrucciones de instalación que se proporcionan para instalar este producto. Si no lo hace, podría producirse un mal ajuste que colocaría a los ocupantes del vehículo en una situación potencialmente peligrosa.



### PRECAUCIÓN

Debe usar gafas protectoras en todo momento durante la instalación de este producto.

## Conseils pour l'installation

**Lire toutes les instructions au complet avant de commencer l'installation de cet assemblage.**

**Pour un ajustement sans problème :**

Afin de faciliter l'installation, ce produit doit être installé à des températures au-dessus de 72 °F (22 °C).

Sous cette température, le tissu peut rétrécir d'un pouce (2,5 cm) ou plus, ce qui rendra l'ajustement sur le véhicule difficile.

Il est normal que le tissu rétrécisse et plisse pendant qu'il est dans la boîte d'expédition. En quelques jours après l'installation, le tissu se détendra et les plis disparaîtront.



### AVERTISSEMENT

Ce produit est conçu principalement pour améliorer l'apparence du véhicule et pour protéger les occupants des conditions météorologiques usuelles. Ne jamais se fier aux composants de ce produit pour se protéger de blessures ou de la mort en cas d'accident. Ce produit ne protégera pas les occupants des chutes d'objets. Ne jamais utiliser le véhicule au-delà des caractéristiques techniques indiquées par le fabricant.

### PORTER UNE CEINTURE DE SÉCURITÉ EN TOUT TEMPS

Lire et suivre, très fidèlement, toutes les instructions d'installation fournies lors de l'installation de ce produit. Ne pas suivre cette consigne peut causer une installation inadéquate et mettre les occupants du véhicule dans une situation potentiellement dangereuse.




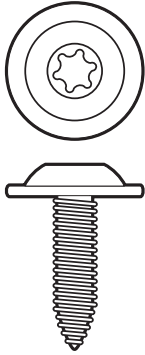

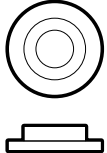


### MISE EN GARDE

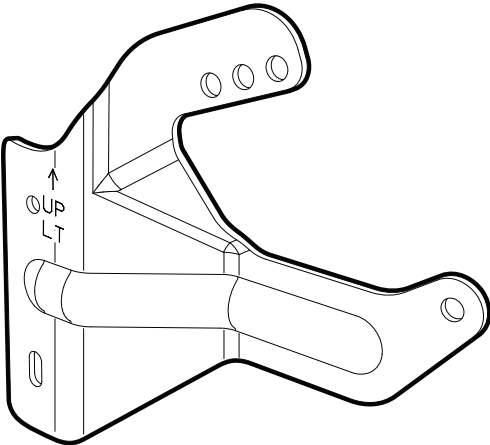
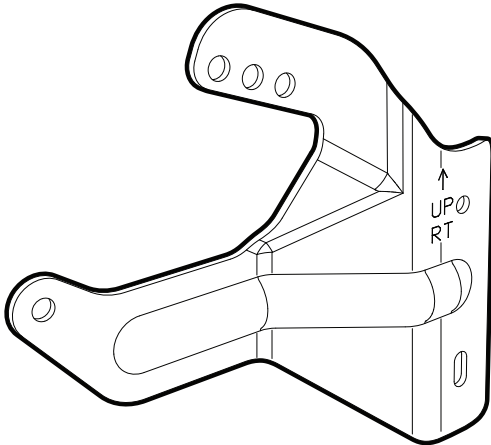
Des lunettes de sécurité doivent être portées en tout temps lors de l'installation de ce produit.



## Parts List

- Required parts for each installation section - Page number in Installation Guide

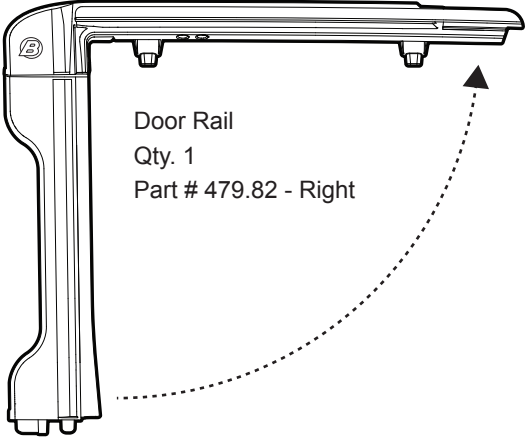
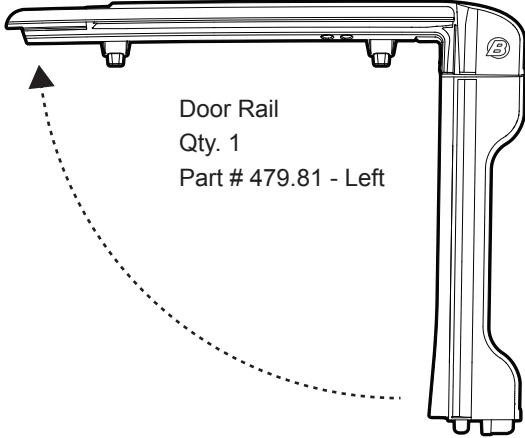
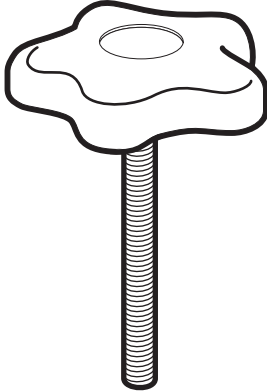

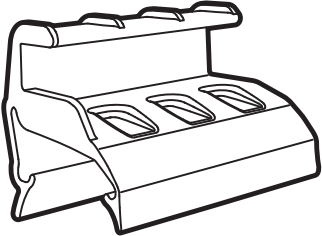
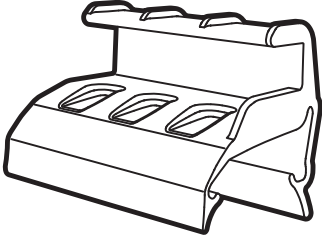
All Sections	Hardware and Fasteners				Multiple Pages
 <p>M5 x 30 Screw Qty. 2 Part # 308.87</p>	 <p>Bow Mount Screw Qty. 4 Part # 308.64</p>	 <p>Pan Head Washer Screw Qty. 23 Part # 393.79</p>	 <p>Plastic Bushing Qty. 4 Part # 473.40</p>	 <p>M5 Nylock Nut Qty. 2 Part # 308.62</p>	 <p>Self-Drill Screw Qty. 2 Part # 312.09</p>

Section 1	Bow Mount Brackets	Page 6 of Guide
 <p>Bow Mount Bracket Qty. 1 Part # 482.89 - Left</p>	 <p>Bow Mount Bracket Qty. 1 Part # 482.88 - Right</p>	



## Parts List

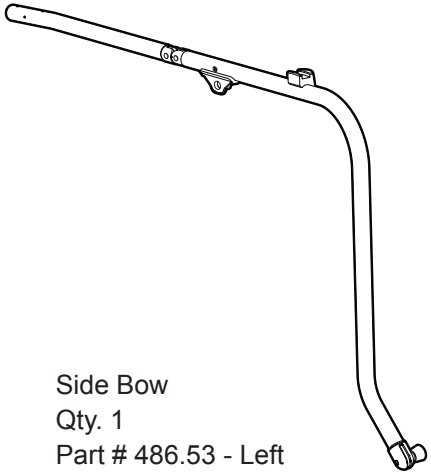
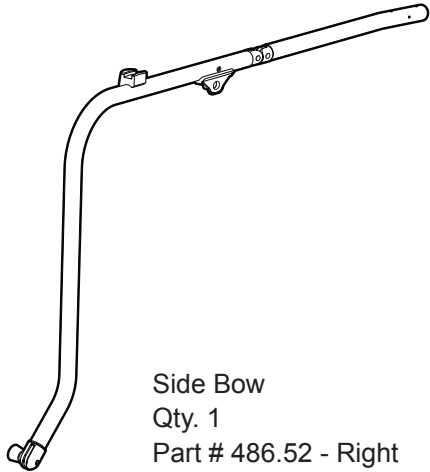
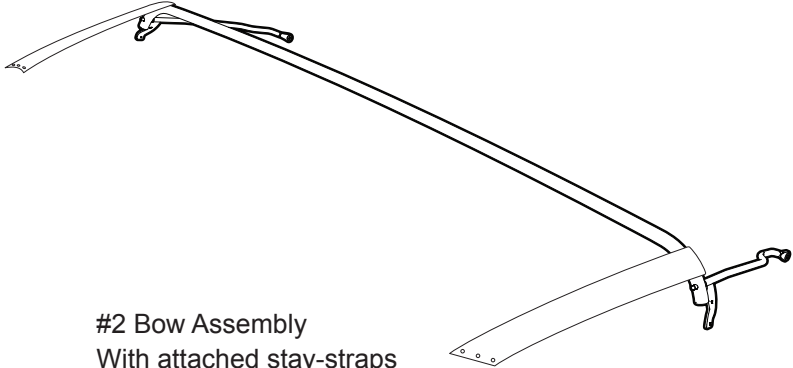
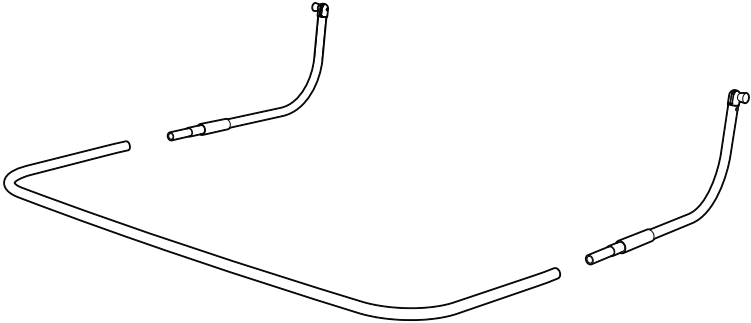

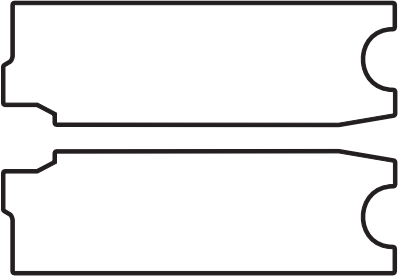
- Required parts for each installation section - Page number in Installation Guide

Section 2 Door Rails and Knobs		Pages 7 of Guide
 <p>Door Rail Qty. 1 Part # 479.82 - Right</p>	 <p>Door Rail Qty. 1 Part # 479.81 - Left</p>	 <p>M8 x 75mm Knob Qty. 4 Part # 478.90</p>
Sections 3 & 4 Top Arch & Tailgate Bar Mounts		Pages 8 & 9 of Guide
 <p>Top Arch Qty. 1 Part #486.55</p>	 <p>Tailgate Bar Mount Qty. 1 Part # 488.47 - Left</p>	 <p>Tailgate Bar Mount Qty. 1 Part # 488.46 - Right</p>



## Parts List

- Required parts for each installation section - Page number in Installation Guide

Sections 5 through 8	Side Bows and #2 Bow Assembly	Pages 10 through 14 of Guide
 <p>Side Bow Qty. 1 Part # 486.53 - Left</p>	 <p>Side Bow Qty. 1 Part # 486.52 - Right</p>	 <p>#2 Bow Assembly With attached stay-strings Qty. 1 Part # 459.30</p>
Sections 9 & 14 Rear Bow Assembly and Foam Seals & Foam Strips		Pages 15 & 20 of Guide
 <p>Rear Bow Assembly Qty. 1 (3 pieces) Part # 486.54</p>		 <p>Foam Tape Strips Qty. 2 Part # 417.43</p>  <p>Foam Seals Qty. 1 per side Part # 457.76 (R) &amp; 457.77(L)</p>



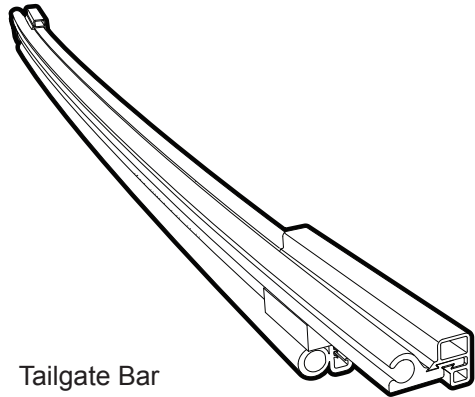
## Parts List

- Required parts for each installation section - Page number in Installation Guide

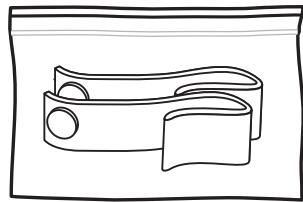
### Sections 17 through 21

### Tailgate Bar, Strap Kit, Fabric & Windows

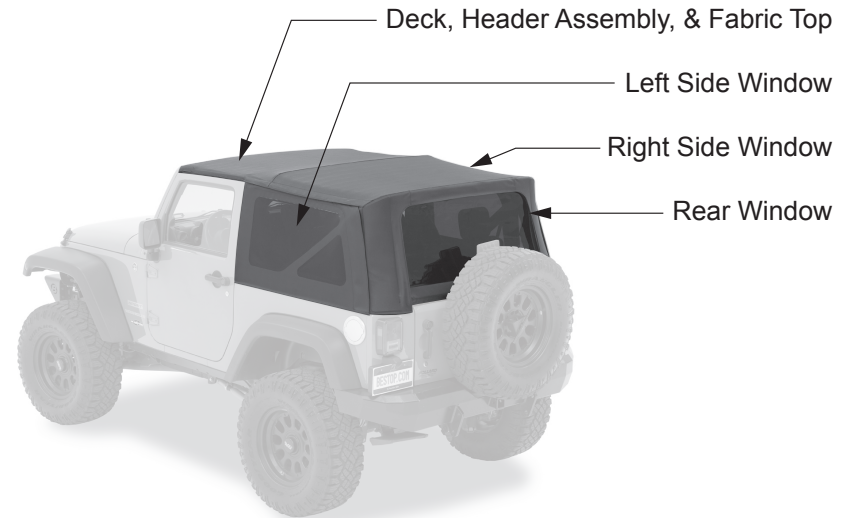
### Pages 23 through 27 of Guide

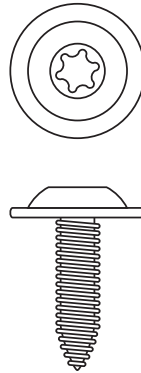
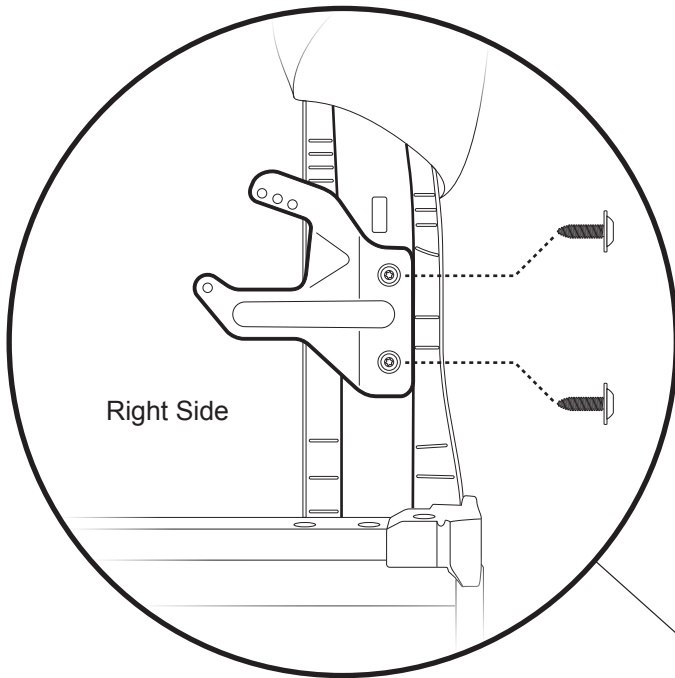


Tailgate Bar  
Qty. 1  
Part #489.46

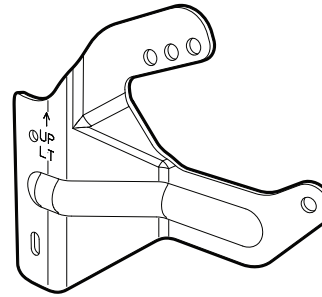


Strap Kit  
Qty. 1  
Part #386.90

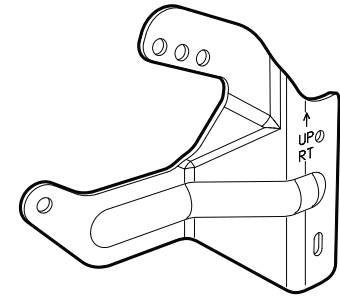


**Step 1** 482.88 (Right)**Hardware**

Bow Mount Screw  
Qty. 2 per side  
Part # 308.64



Bow Mount Bracket  
Qty. 1  
Part # 482.89 - Left



Bow Mount Bracket  
Qty. 1  
Part # 482.88 - Right

**Step 1**

Unzip the protective covers on the front sport bar down-tubes and locate the two threaded holes on the side of each sport bar down-tube.

Screw the Right Bow-Mount Bracket to the right-side sport bar down-tube using (2) Bow-Mount Screws.

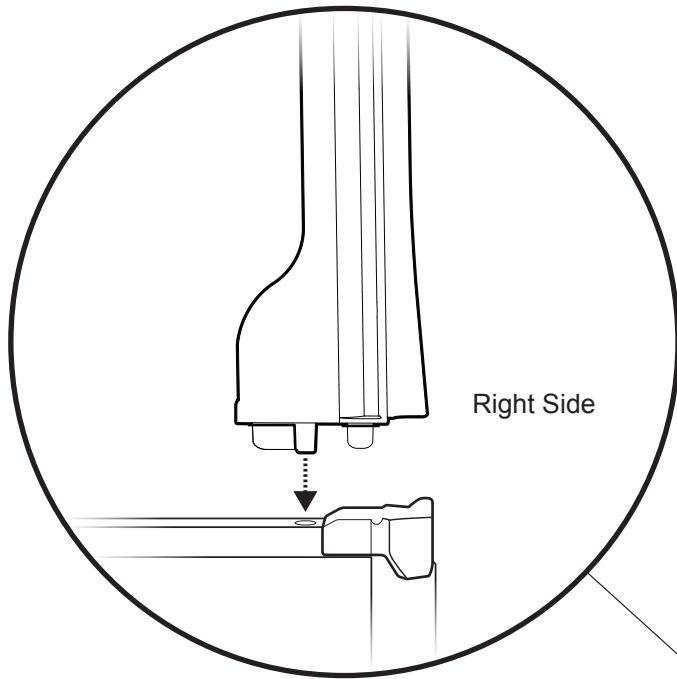
Screw the Left Bow-Mount Bracket to the left-side sport bar down-tube using (2) Bow-Mount Screws.

**Step 2**

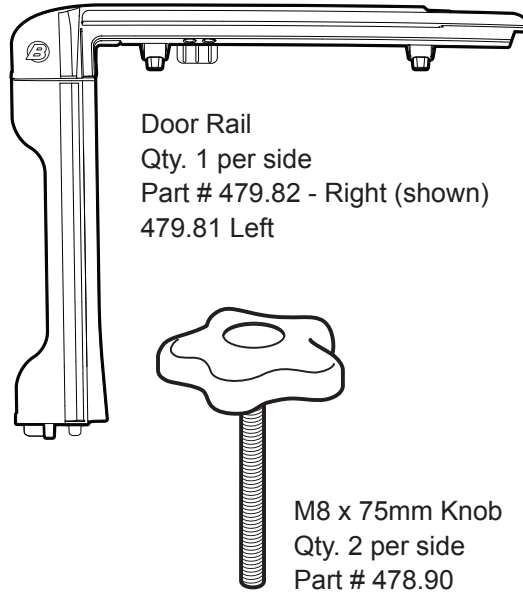
Replace the sport bar protective cover, making sure that the Bow Mount Brackets stick out through the openings in the cover.



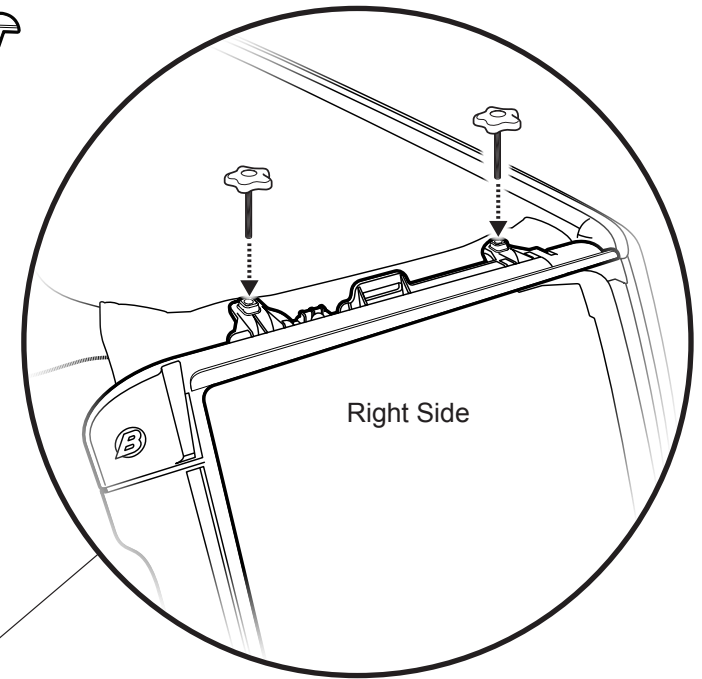
**Step 1** 479.82 assembly (right)



**Hardware**



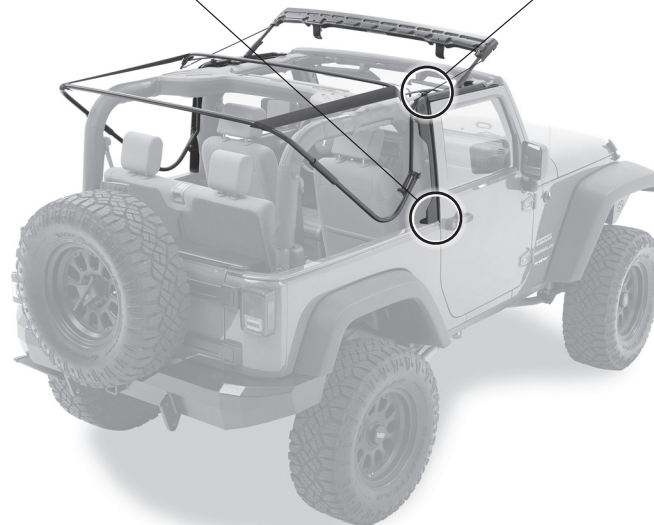
**Step 2** 478.90 Knobs



**Step 1**

Locate the Right Door Rail. Attach the Right Door Rail assembly to the Jeep belt rail behind the right side door, inserting the alignment pin on the bottom of the Door Rail assembly into the hole in the top of the belt rail.

Repeat for left side.



**Step 2**

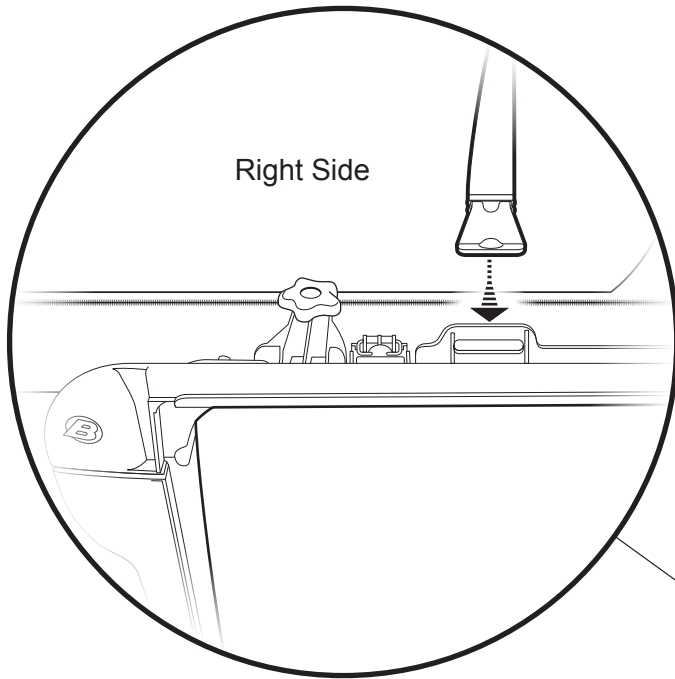
Secure Left and Right Rear Door Rails to the Jeep Sport Bar using (2) M8x75mm Knobs per side. The knobs go through the tabs on each Door Rail, and screw into the threaded holes.



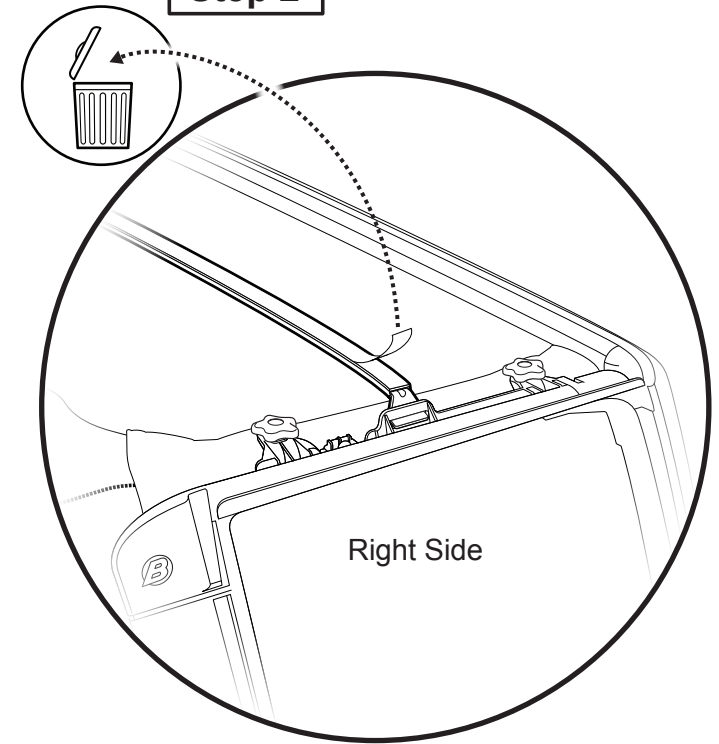
**Step 1** 486.55 Top Arch

**Hardware**

**Step 2**



Top Arch  
Qty. 1  
Part #486.55



**Step 1**

Insert the Top Arch into the slotted tab on the Door Rail. Insert one end, and flex the bow to insert the other end into the tabbed slot on the opposite side of the Jeep.

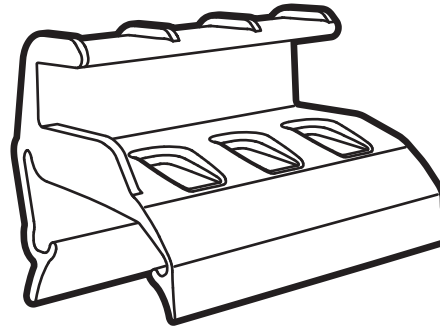
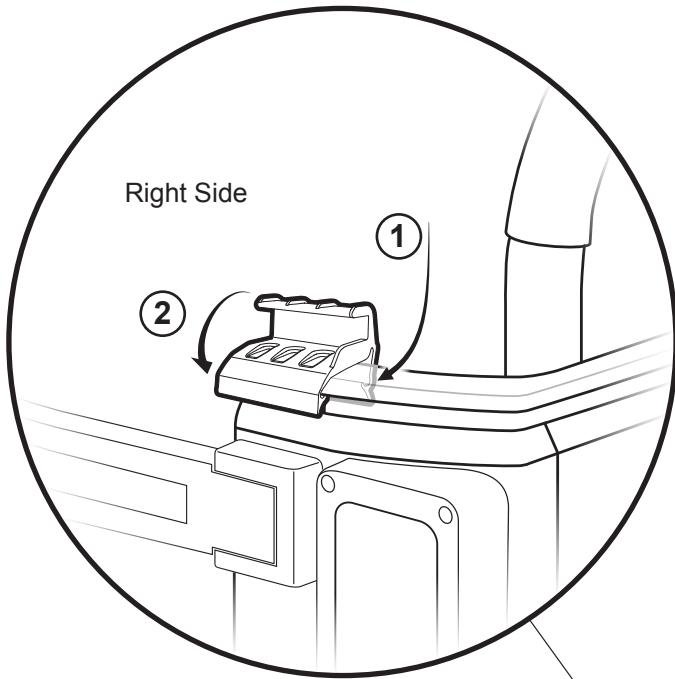


**Step 2**

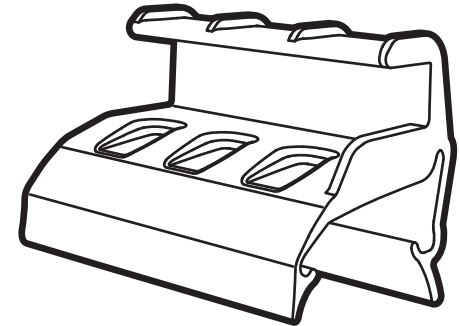
Remove and discard the protective peel-off strip on the top surface of the Top Arch.

**Step 1** 488.46 (Right)

**Hardware**



Tailgate Bar Mount - Left  
Qty. 1  
Part # 488.47



Tailgate Bar Mount - Right  
Qty. 1  
Part # 488.46

**Step 1**

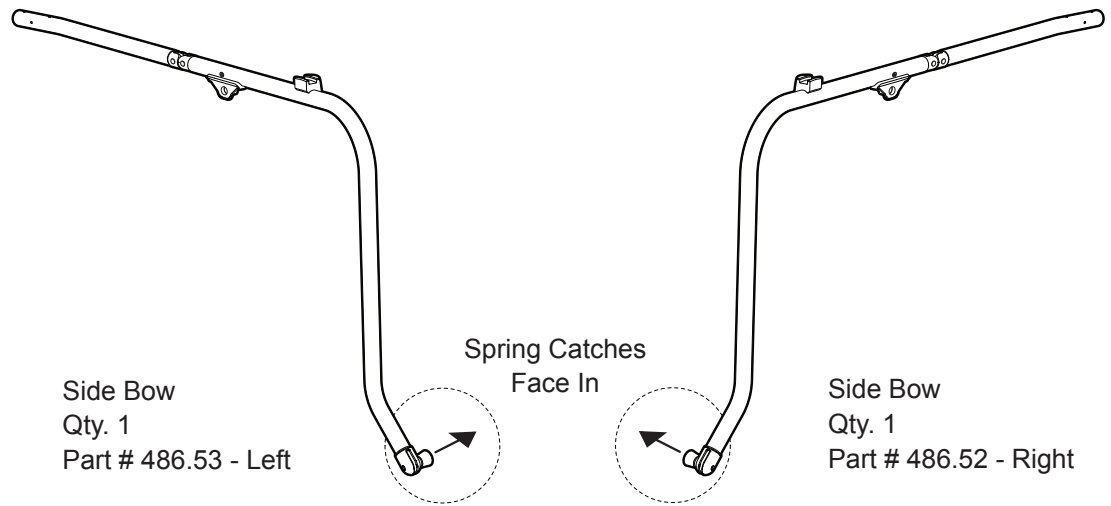
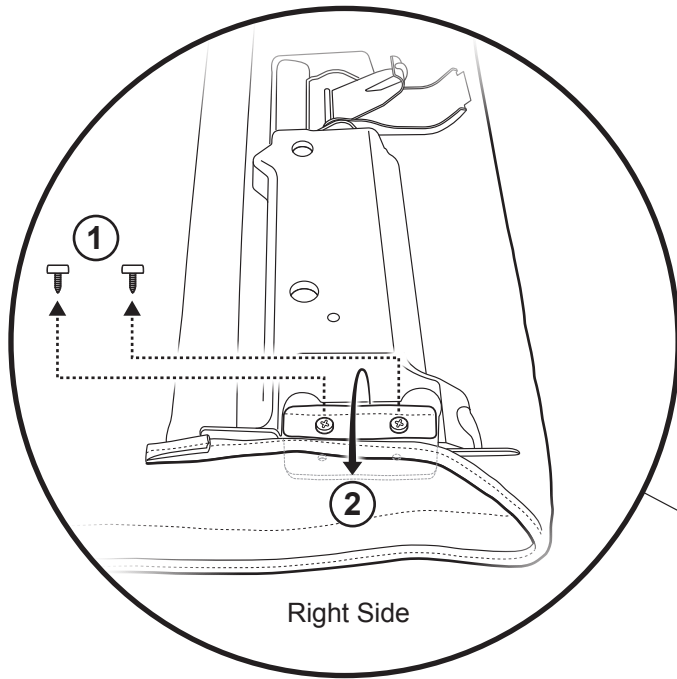
Locate the left and right Tailgate Bar Mounts. Each mount snaps onto the Jeep belt rail just outboard of the tailgate opening.

Snap each mount into place by hooking the inner catch portion of the mount under the belt rail on the inside, and then rolling the mount downward until it snaps into place under the bottom edge of the outside belt rail.



**Step 1** Header/Fabric Assembly

**Hardware**



**Step 1**

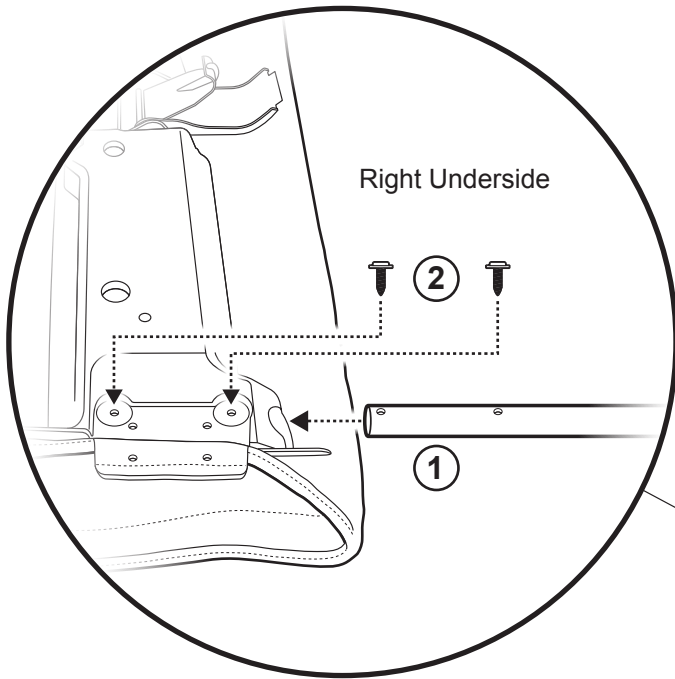
Lay the Header/Fabric Assembly out with inside of fabric facing up. You may want to use the shipping box to keep the fabric off the ground.

Remove and set aside the two screws holding the protective flap down on the inside of the header. Fold the protective flap back to expose the screw holes used for attaching the Right Side Bow.

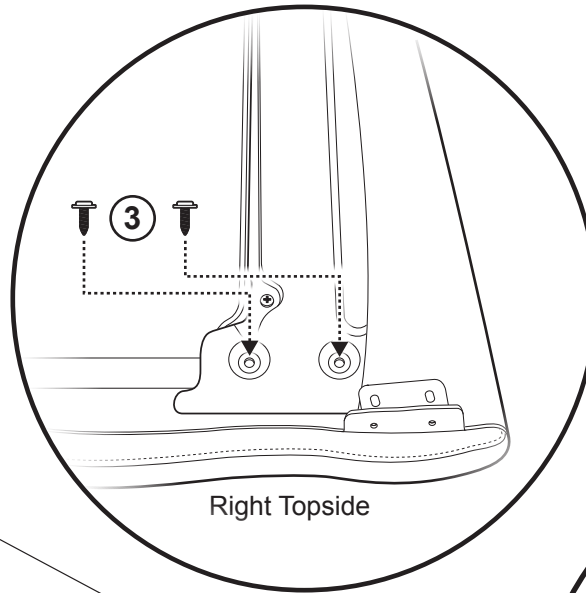
Repeat on left side of Header/Fabric Assembly.



**Step 2** 486.52 (Right)



**Step 2** (cont.)

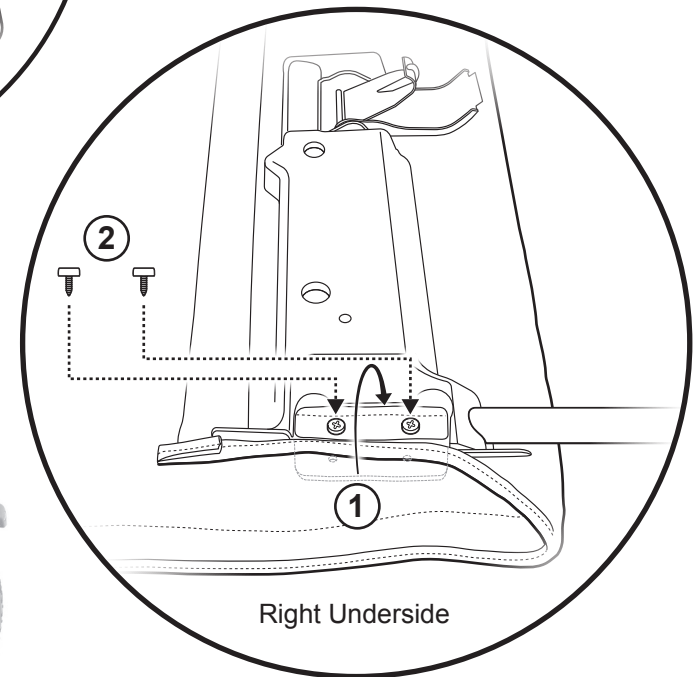


**Hardware**



Pan Head  
Washer Screw  
Qty. 4 per side  
Part # 393.79

**Step 3** Header/Fabric Assembly



**Step 2**

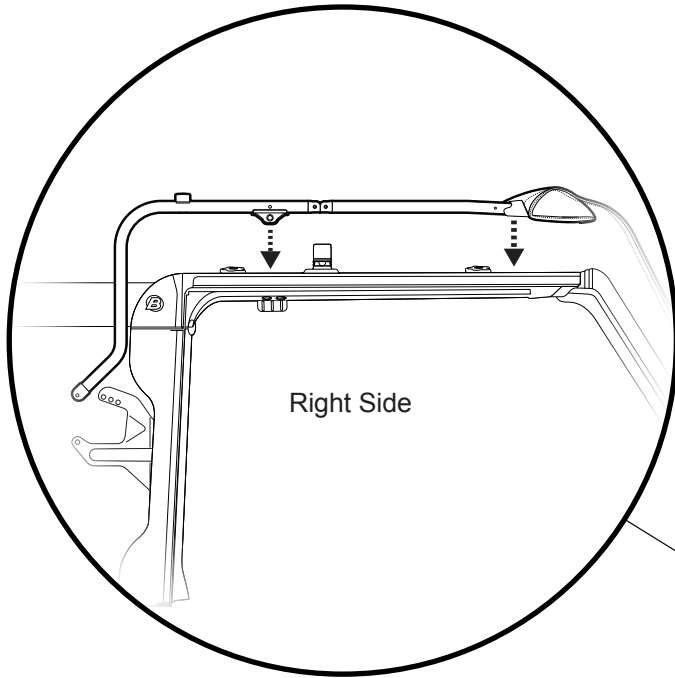
Insert the end of the Right Side Bow into the hole in the right side of the Header/Fabric Assembly, aligning the two holes in the tubing with the two holes in the header. Make sure that the Spring Catch faces in. Secure the Right Side Bow in place with (4) #8 x 1/2" Pan Head Washer Screws: two from the underside of the Header/Fabric assembly, and two from the topside.

Repeat on left side, using Left Side Bow.



**Step 3**

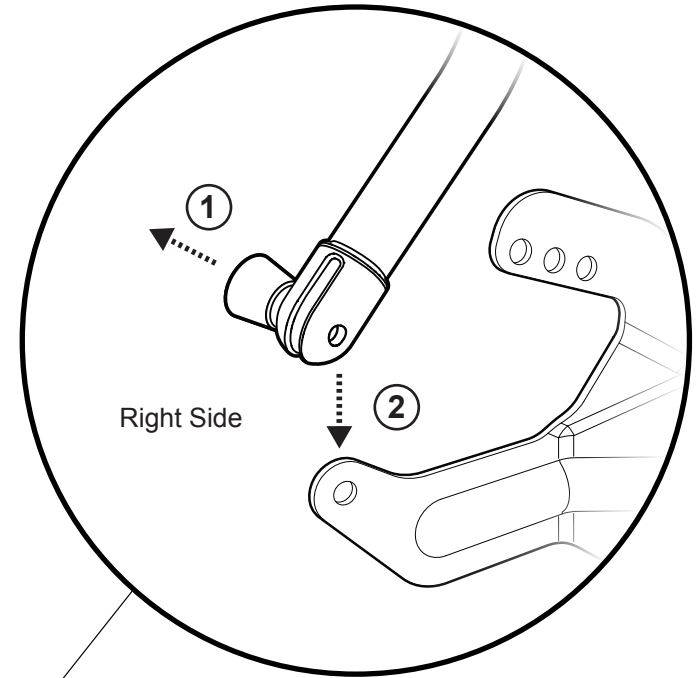
Replace the protective flaps on both sides, and re-insert the screws you set aside, two for each side.

**Step 1** Fabric/Header/Side Bow Assembly**Step 1**

Lift Fabric/Header/Side Bow Assembly onto top of Jeep, with the Header sitting on top of the Jeep windshield, and the fabric draped forward over the Jeep hood.

You may want to protect the finish of the Jeep by putting a blanket across the Jeep hood.

Extend the Side Bows out straight and lay the Side Bows on top of the Door Rails.

**Step 2** Side Bow Assembly**Step 2**

Release the spring-loaded catch at the end of the bow leg by pulling out on the knob.

Slide the slotted end of the catch over the lower leg of the Bow Mount Bracket, and release the catch so that it snaps into place in the hole.

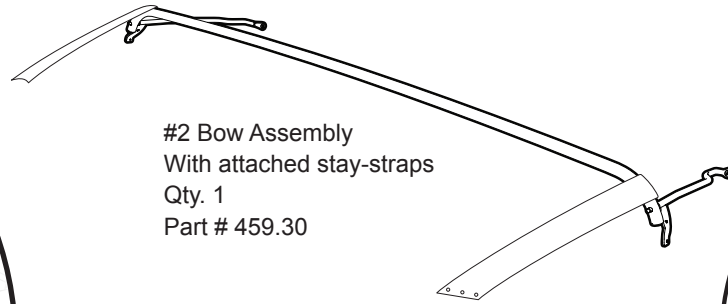
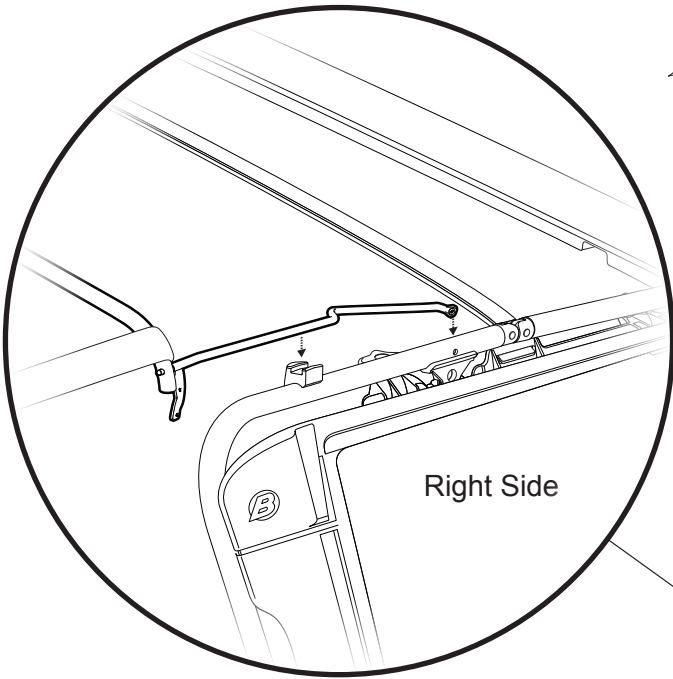
Repeat on the left side.



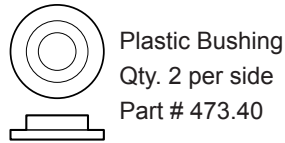
**Step 1** 459.30 #2 Bow Assembly

**Hardware**

**Step 2**



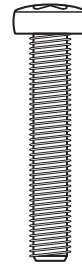
#2 Bow Assembly  
With attached stay- straps  
Qty. 1  
Part # 459.30



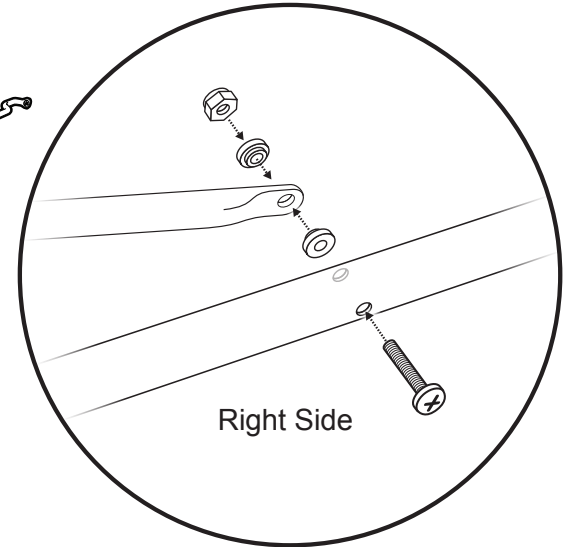
Plastic Bushing  
Qty. 2 per side  
Part # 473.40



M5 Nylock Nut  
Qty. 1 per side  
Part # 308.62



M5 x 30 Screw  
Qty. 1 per side  
Part # 308.87



**Step 1**

Locate the #2 Bow Assembly with attached stay straps. Place the #2 Bow Assembly on top of the side bows, with the legs of the #2 Bow resting on the plastic spacers on top of each side bow tubing. Align the holes in the end of each #2 Bow leg with the holes in the side bows.



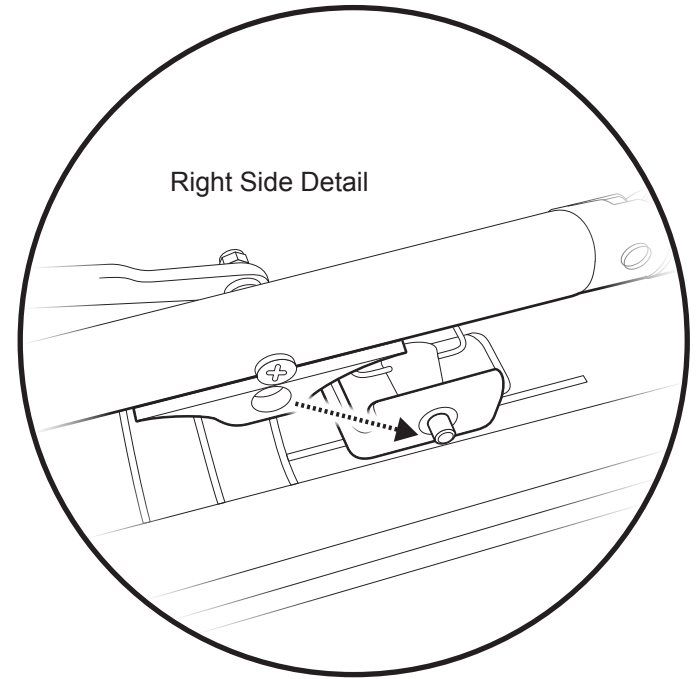
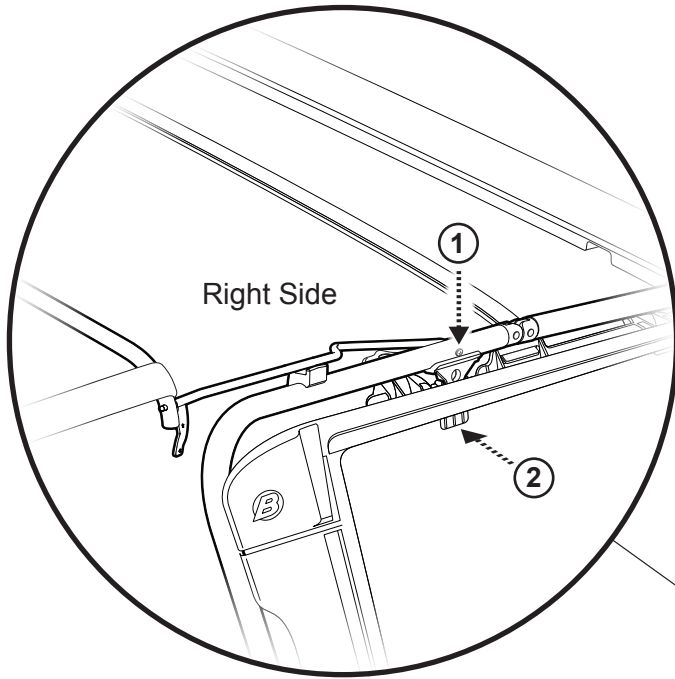
**Step 2**

Secure the #2 Bow Assembly to the side bow using (1) M5x30 screw, (2) plastic bushings, and (1) M5 Nylock nut per side, in the order shown in the diagram above.

Repeat on the left side.



**Step 1** Header/Fabric/Bow Assembly



**Step 1**

Align the Header/Fabric/Bow Assembly so that the locking flange with brass bushing is positioned above the spring-loaded locking lever assembly in the top of the door rail.

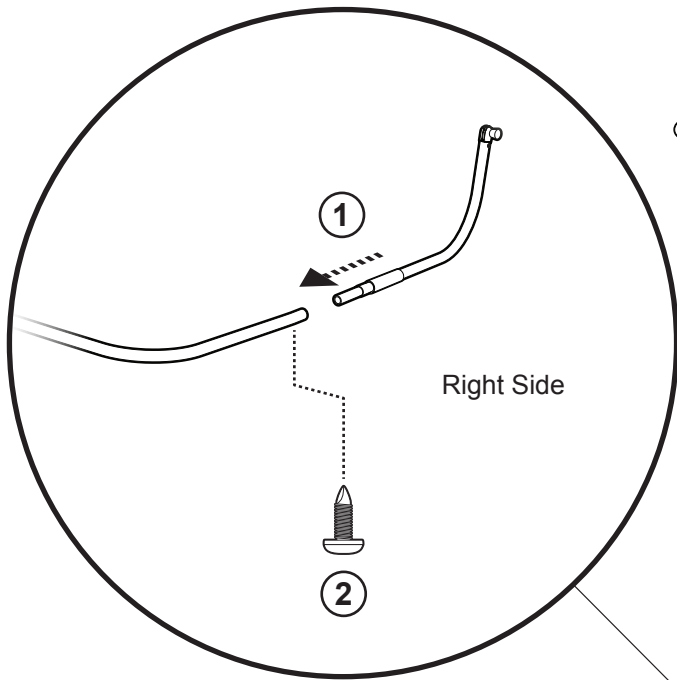
While pushing in the latch release lever on the underside of the door rail, slide the Header/Fabric/Bow Assembly down so that the locking flange aligns with the spring-loaded locking pin.

Release the latch lever so that the locking pin engages the brass bushing.

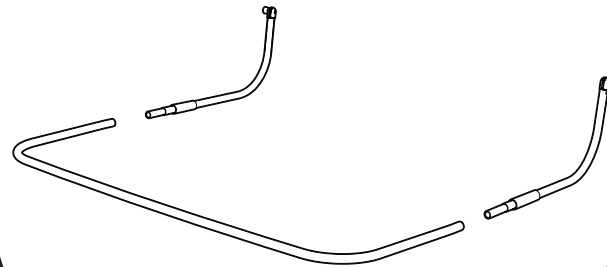
Repeat on the left side.



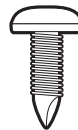
**Step 1** Rear Bow Assembly



**Hardware**

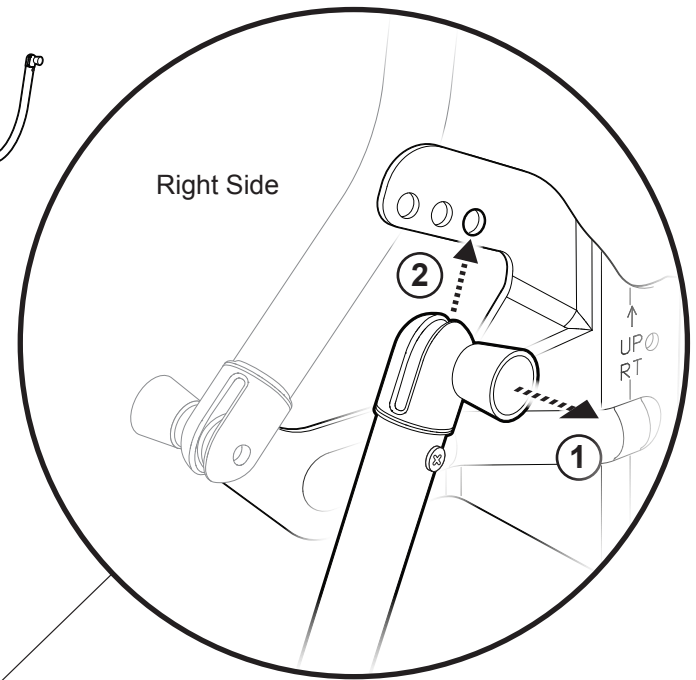


Rear Bow Assembly  
Qty. 1 (3 pieces)  
Part # 486.54



Self-Drill Screw  
Qty. 2  
Part # 312.09

**Step 2**



**Step 1**

Assemble the Rear Bow as shown in the diagram above. Make sure that the spring catches face outward.

Fasten each leg of the Rear Bow to the hoop using (1) #8x1/2" self-drill screw per side.



**Step 1**

Attach the Rear Bow to the Bow Mount Bracket by pulling out on the spring catch release knob, and sliding the catch over the upper leg of the bow mount bracket.

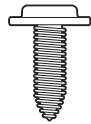
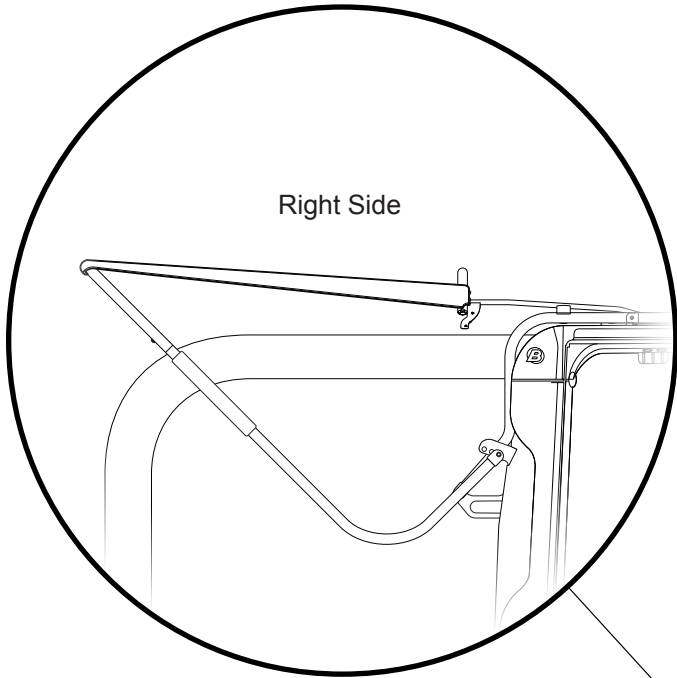
Be sure to attach the spring catch to the hole in the bracket as shown in the diagram above.

Repeat for the left side.

**Step 1** 456.32 Stay Strap

**Hardware**

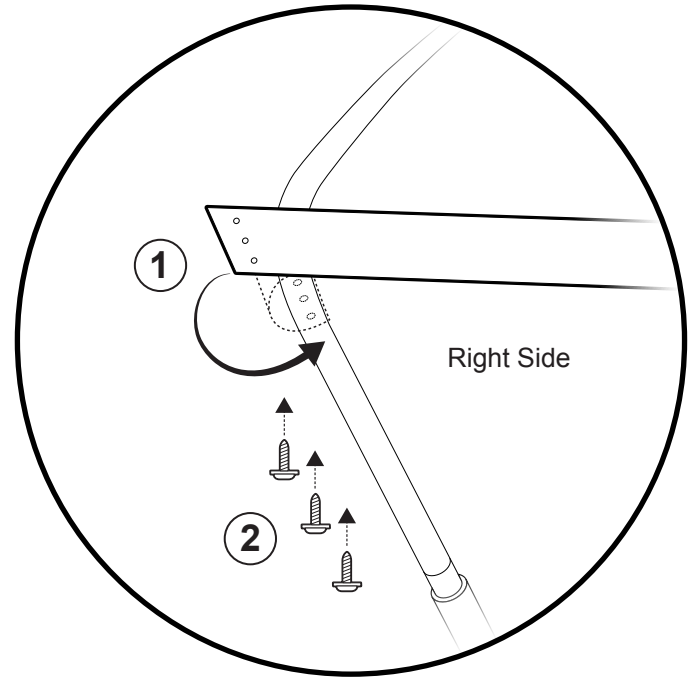
**Step 2**



Pan Head  
Washer Screw  
Qty. 3 per side  
Part # 393.79



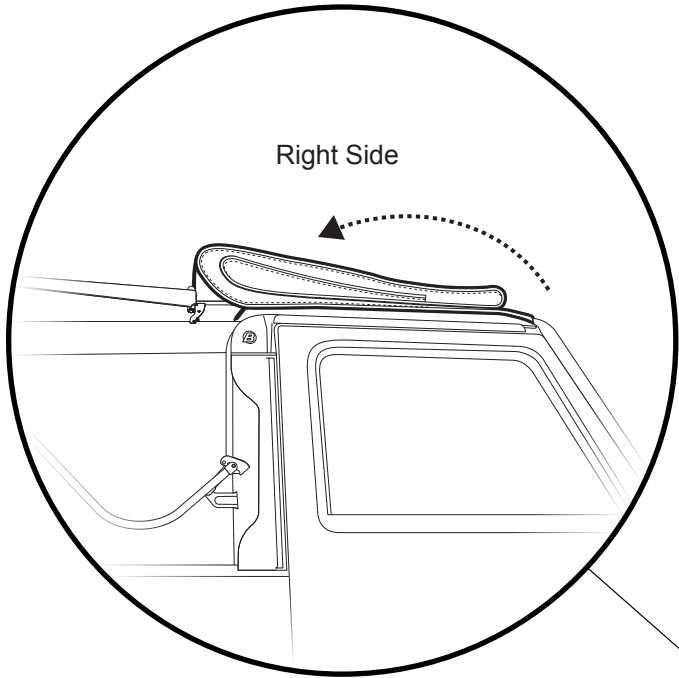
Stay Strap  
Qty. 1 per side  
Attached to #2 Bow



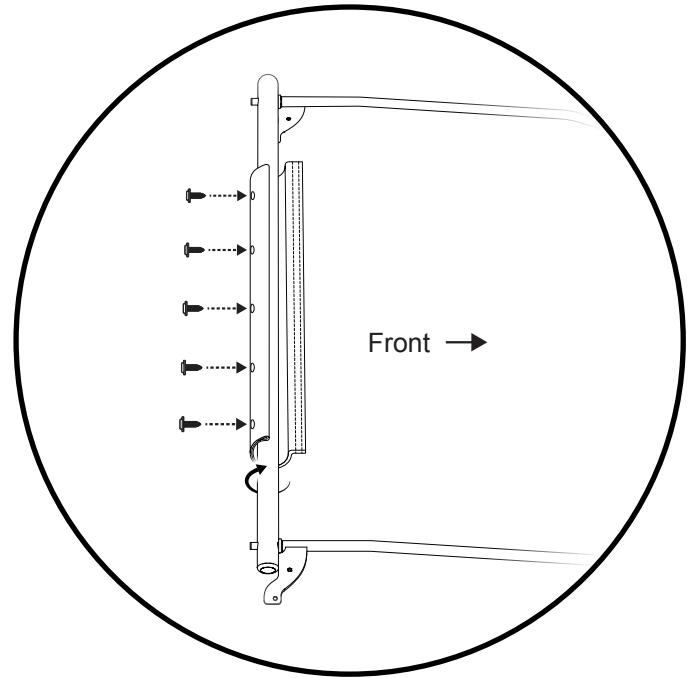
**Step 1** #2 Bow Flap

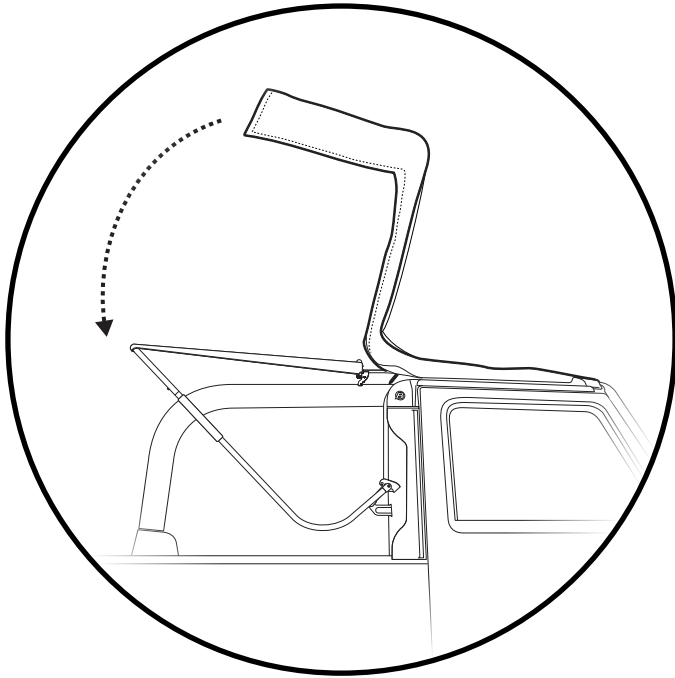
**Hardware**

**Step 2**

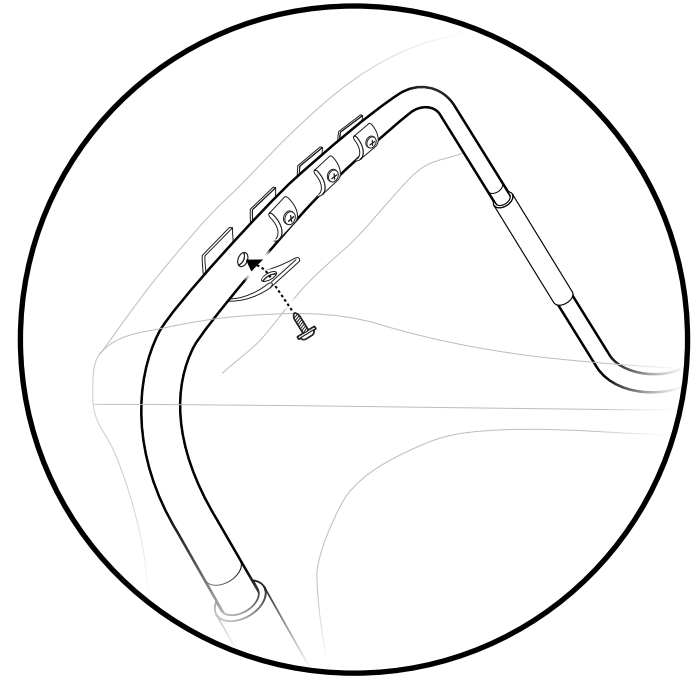


Pan Head  
Washer Screw  
Qty. 5  
Part # 393.79

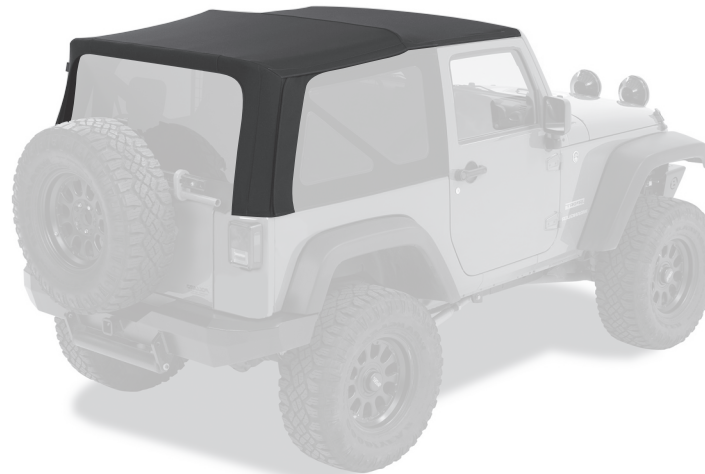


**Step 1** Fabric**Step 1**

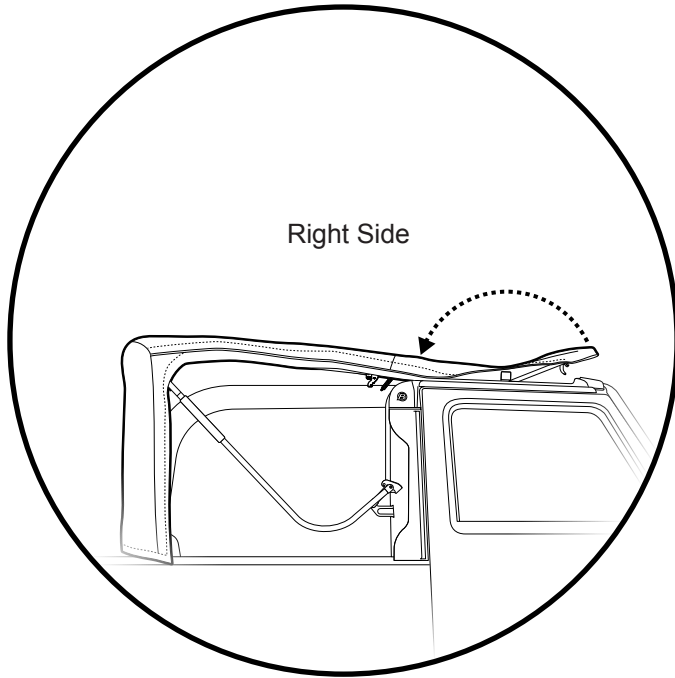
Lift up the fabric and drape it back over the top of the Jeep, pulling it over the top of the Rear Bow and Stay Strap connecting to the #2 Bow.

**Step 2****Step 2**

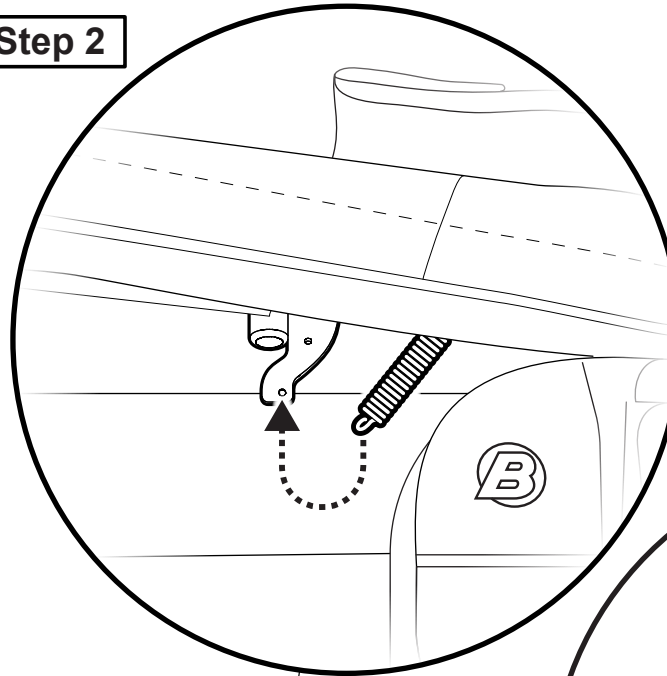
From inside the Jeep, wrap the 4 fabric flaps at the rear of the top around the Rear Bow from underneath, and secure to the Rear Bow, using (4) #8x1/2" Pan Head Washer Screws.



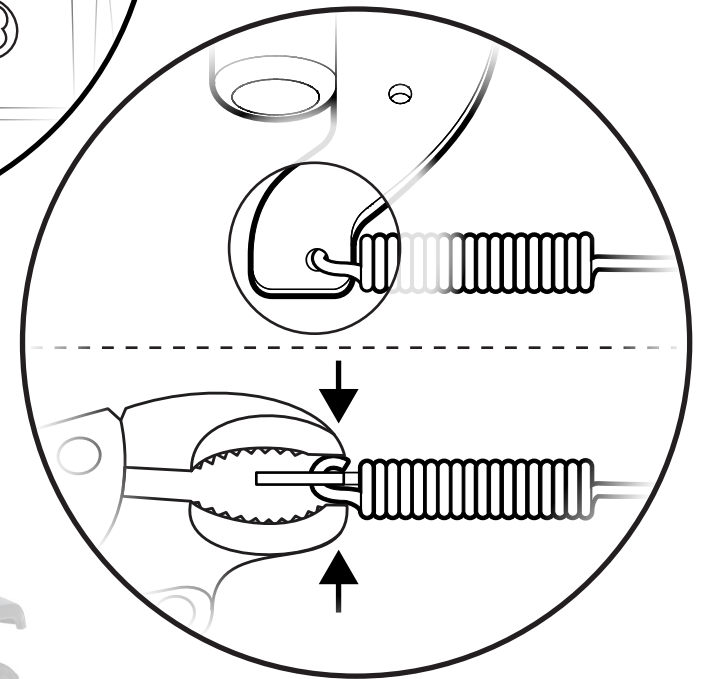
**Step 1** Header/Fabric assembly



**Step 2**



**Step 3**



**Step 1**

Lift up the Header/Fabric assembly and fold it back over the top of the Jeep, letting it rest on the top just above the #2 Bow.

**Step 2**

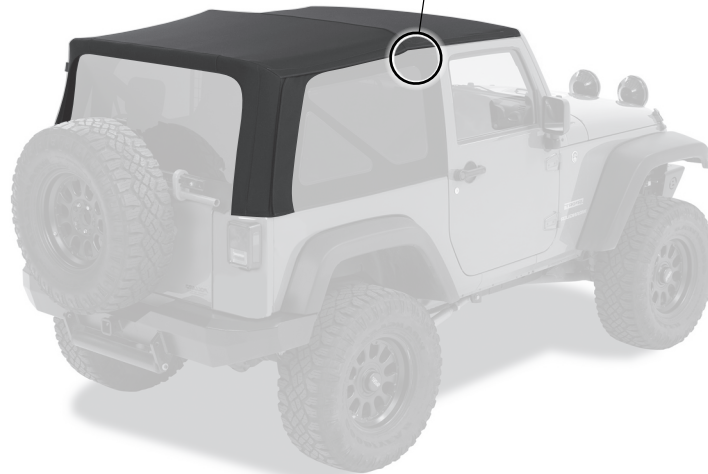
Attach the free end of the Cable Spring to the bottom hole in the #2 Bow corner bracket, just behind the Door Rail.

Repeat on left side.

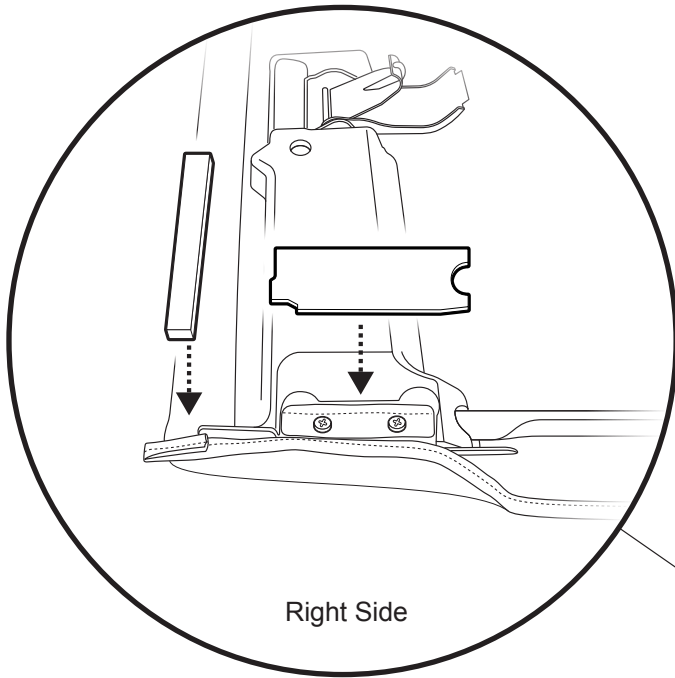
**Step 3**

Crimp the end of the spring where it passes through the hole in the corner bracket, to prevent it from coming loose.

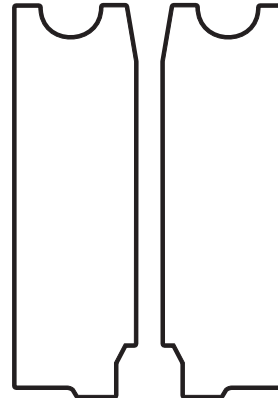
Repeat on left side.



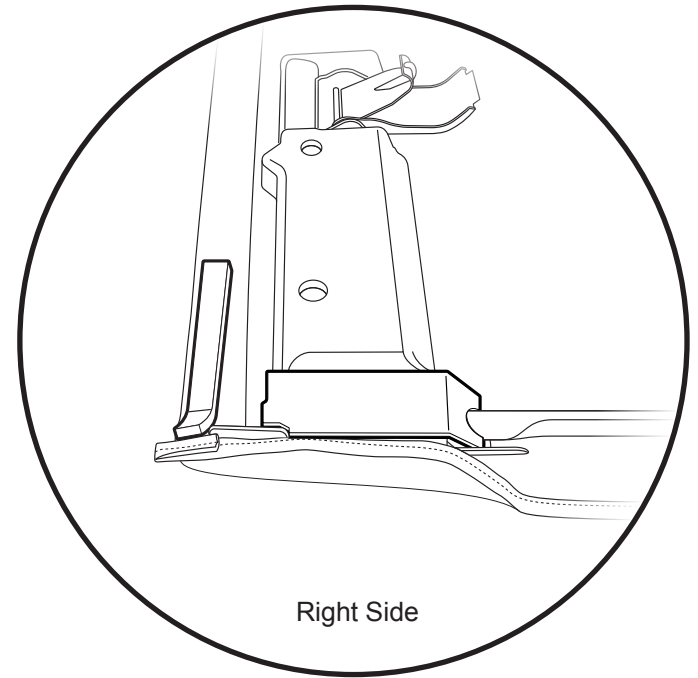


**Step 1** Foam Seals and Foam Tape Strips**Hardware**

Foam Tape Strips  
Qty. 2  
Part # 417.43



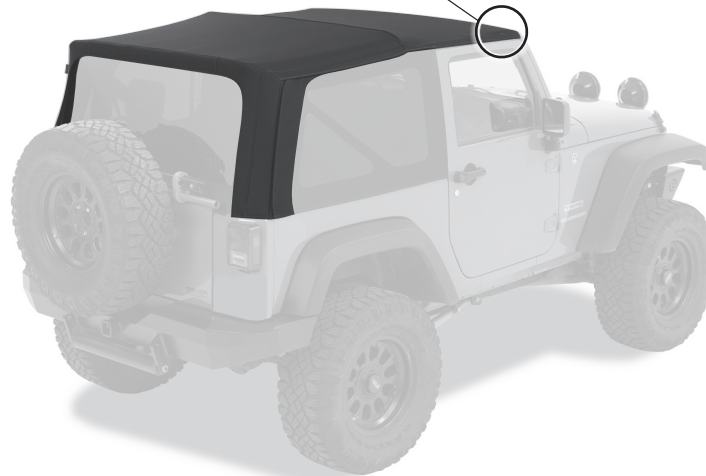
Foam Seals  
Qty. 1 per side  
Parts # 457.77(L)  
& #457.76(R)

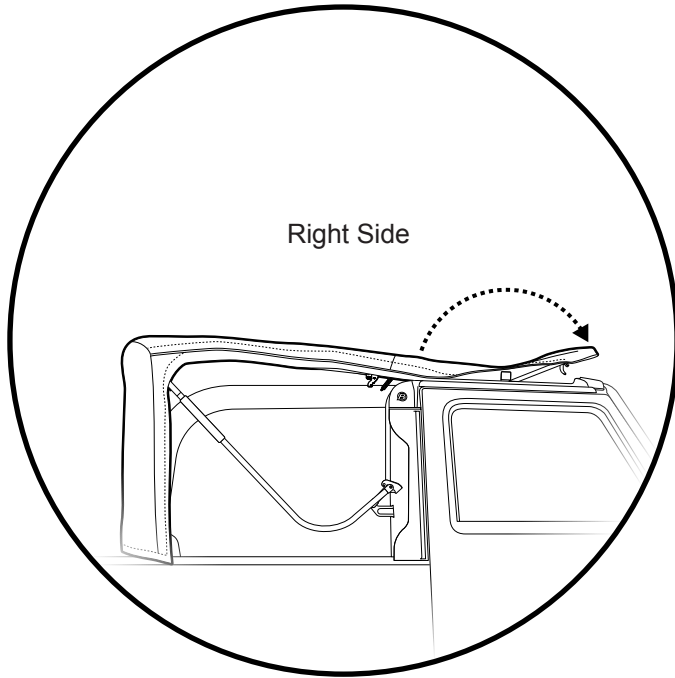
**Step 1**

With the front portion of the top folded back, locate the (2) Foam Seals and the (2) Foam Tape strips. Remove protective liner from the back side of the Foam Seal and place the Foam Seal in the location shown in the diagram.

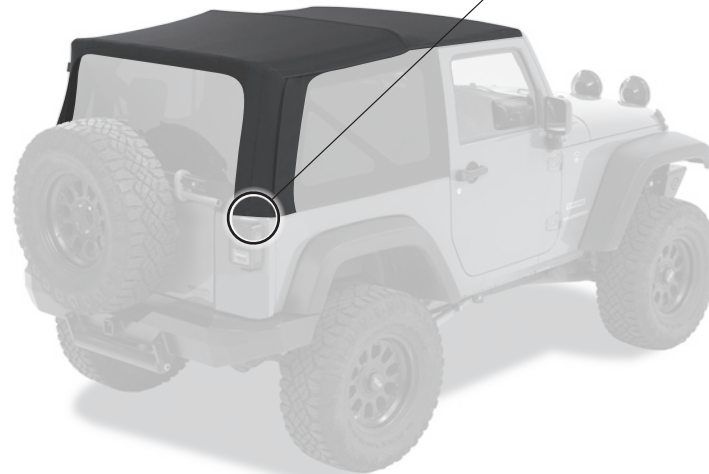
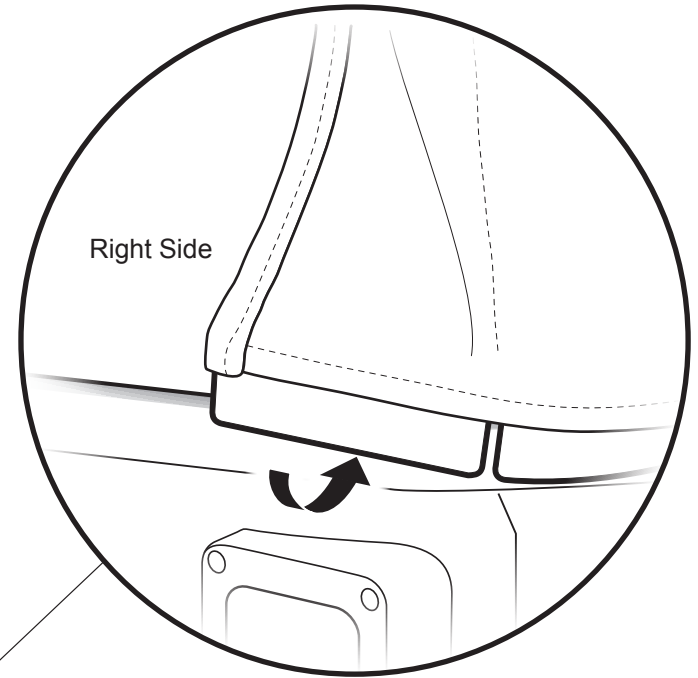
Remove protective liner from the back side of the Foam Tape Strip and place the Foam Tape Strip in the location shown in the diagram.

Repeat for the left side.



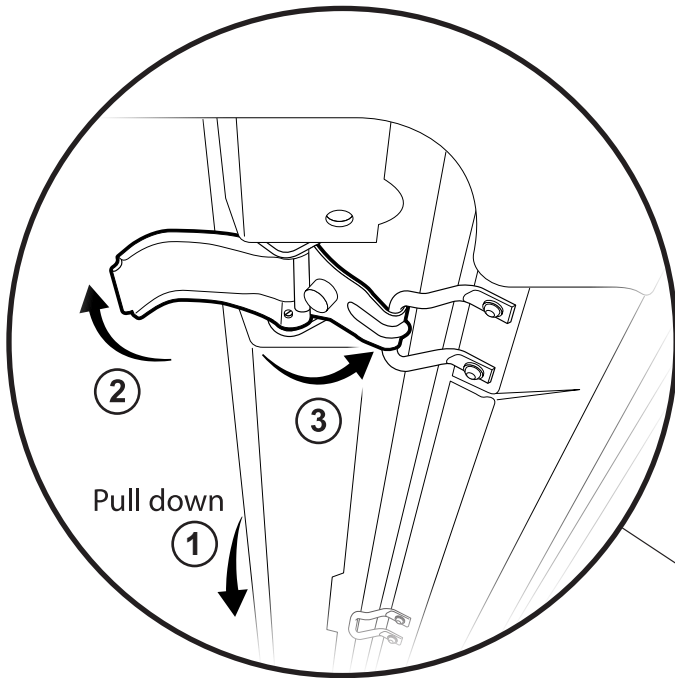
**Step 1** Partially close front portion of Top**Step 1**

Fold the front portion of the top back toward the closed position, letting it stop in a partially open position.

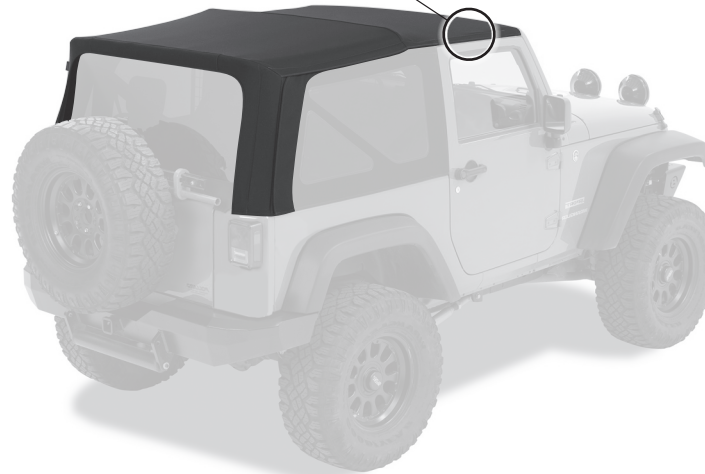
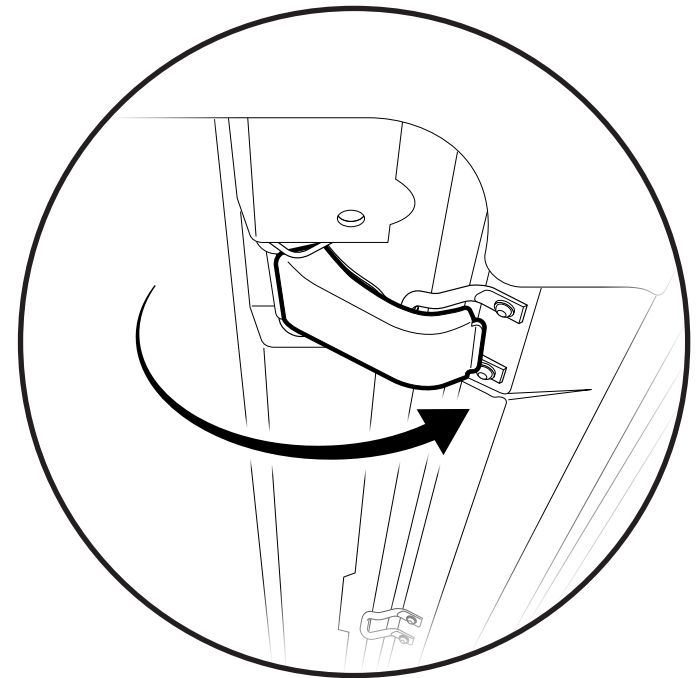
**Step 2** Plastic Corner Tabs**Step 2**

Tuck the plastic tabs at the bottom right corner of the top under the Jeep belt rail by rolling them up underneath the belt rail.

Repeat for the left side.

**Step 1****Step 1**

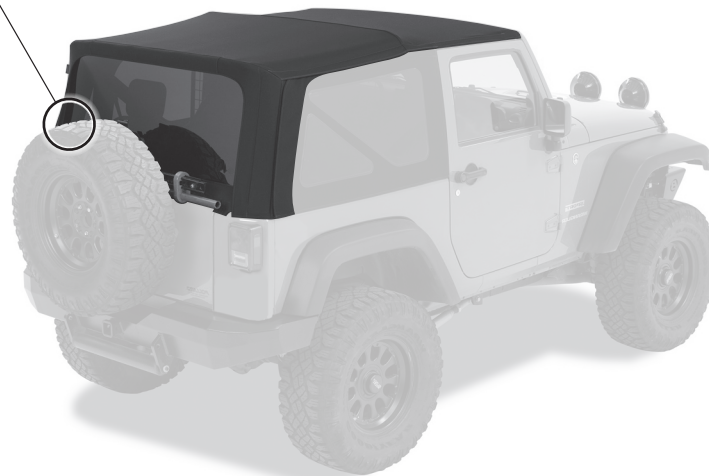
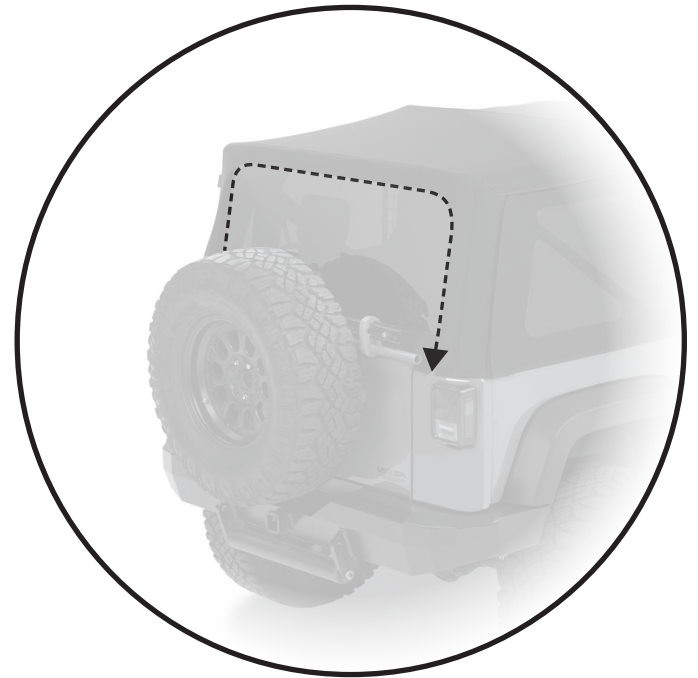
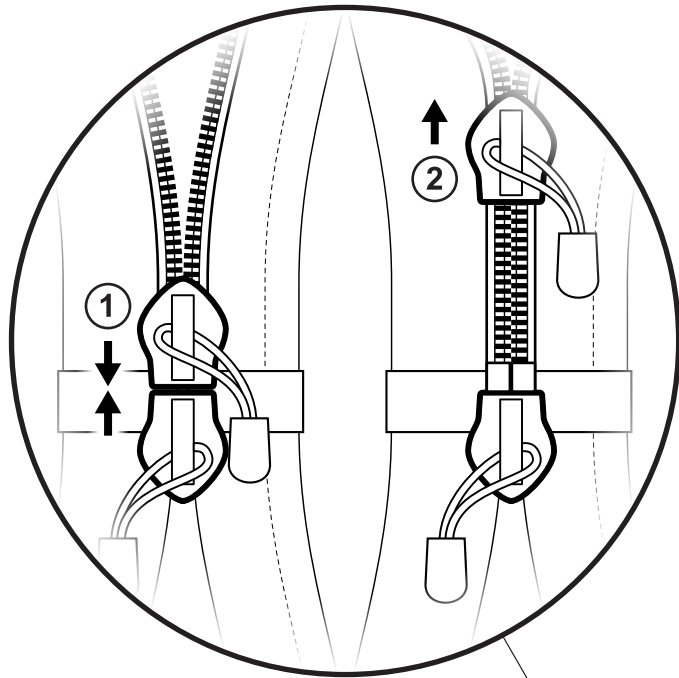
From inside the Jeep, locate the two Windshield Header Latches. To close the latch, pull down on the center of the header and pivot the latch handle to the completely open position to allow the hook to engage the windshield loop. Now pivot the hook forward to engage the windshield loop.

**Step 2****Step 2**

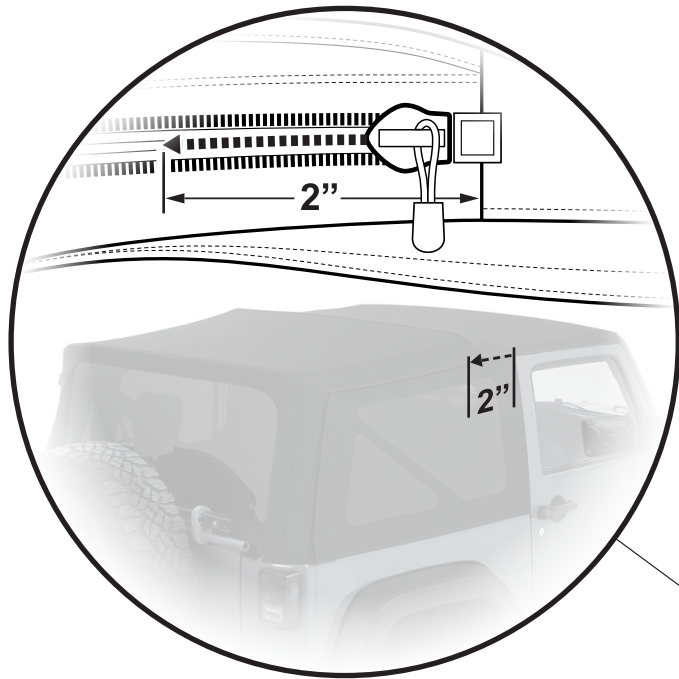
When the hook is engaged with the windshield loop, close the latch by pivoting it forward toward the windshield.

**Step 1** Rear Window

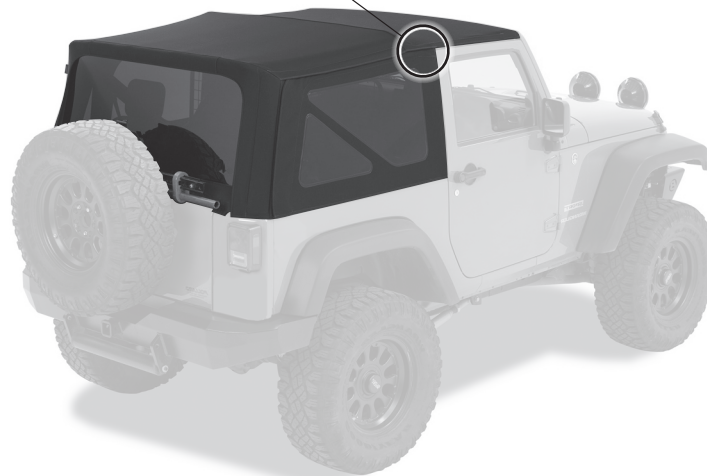
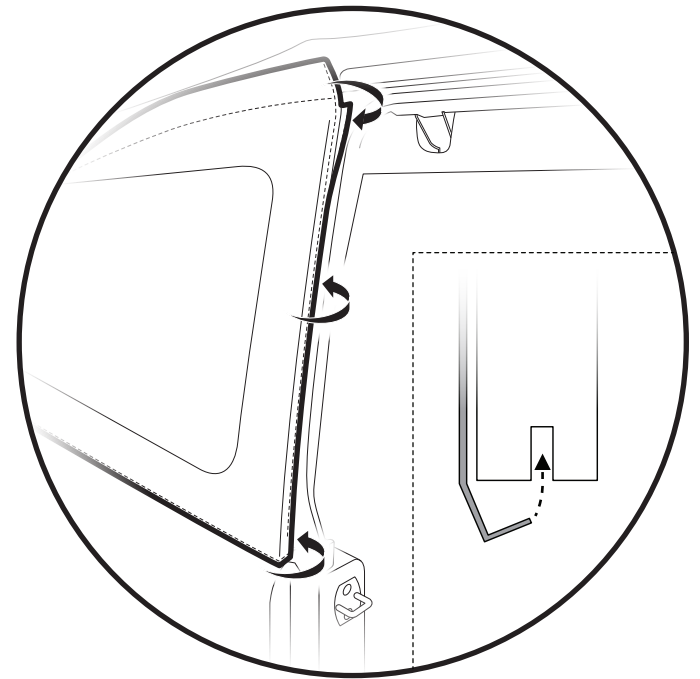
**Step 2**

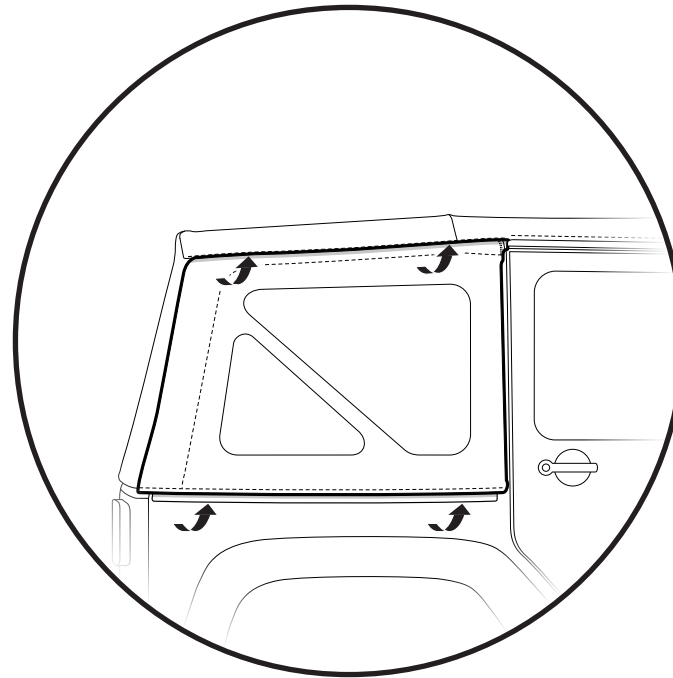
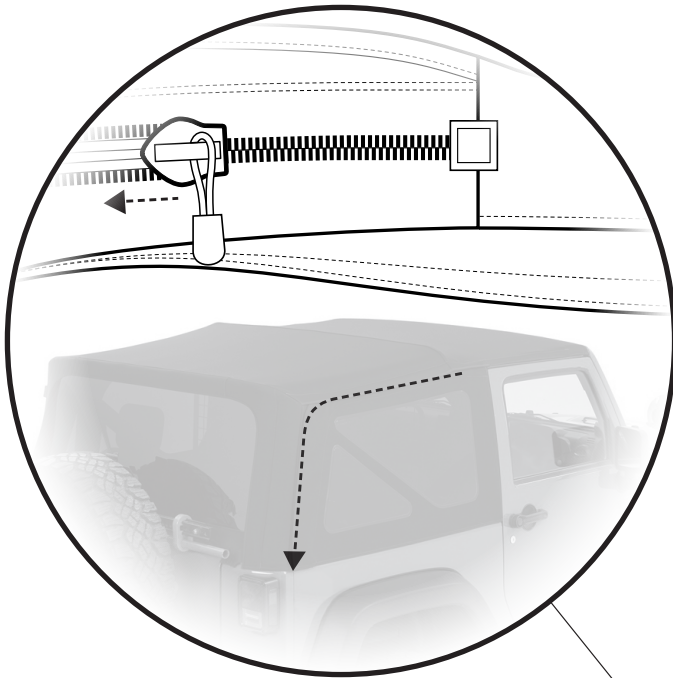


Step 1 Side Windows



Step 2



**Step 1** Side Windows**Step 2****WARNING**

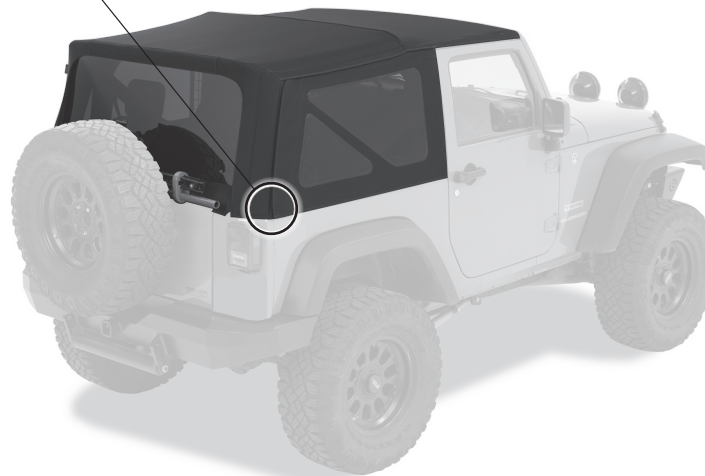
When operating the vehicle without the Side Windows, remove the Rear Window for proper ventilation.

**AVERTISSEMENT**

Retirez la vitre arrière afin d'obtenir une bonne ventilation si les vitres de custode ne sont pas utilisées alors que le véhicule fonctionne.

**ADVERTENCIA**

Cuando el vehículo funcione sin ventanas de los cuartos traseros, quite el medallón para asegurar la ventilación adecuada.



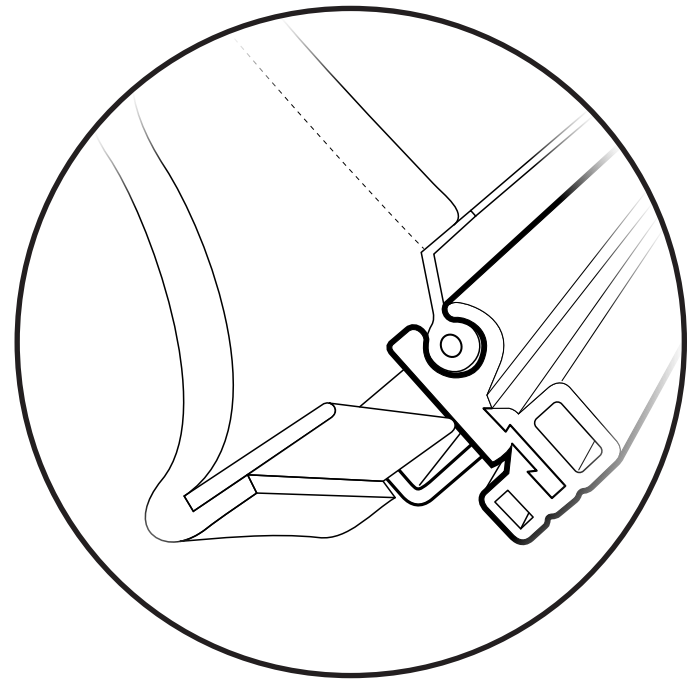
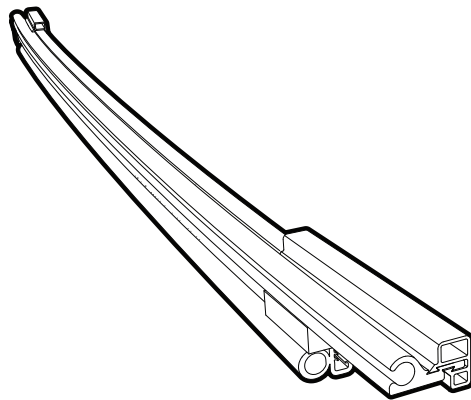
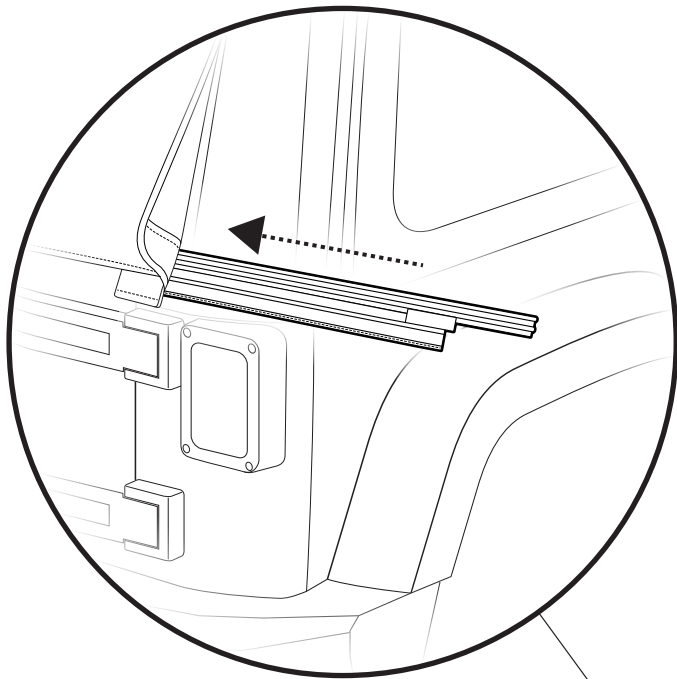


**Step 1** Rear Window

**Hardware**

**Step 2**

Tailgate Bar  
Qty. 1  
Part #489.46

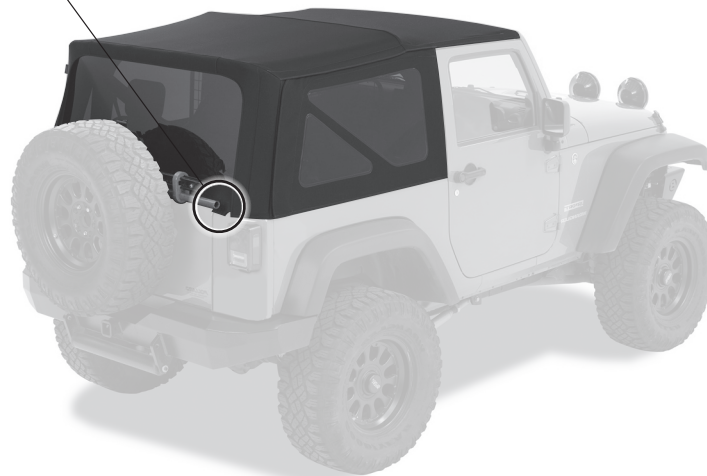


**Step 1**

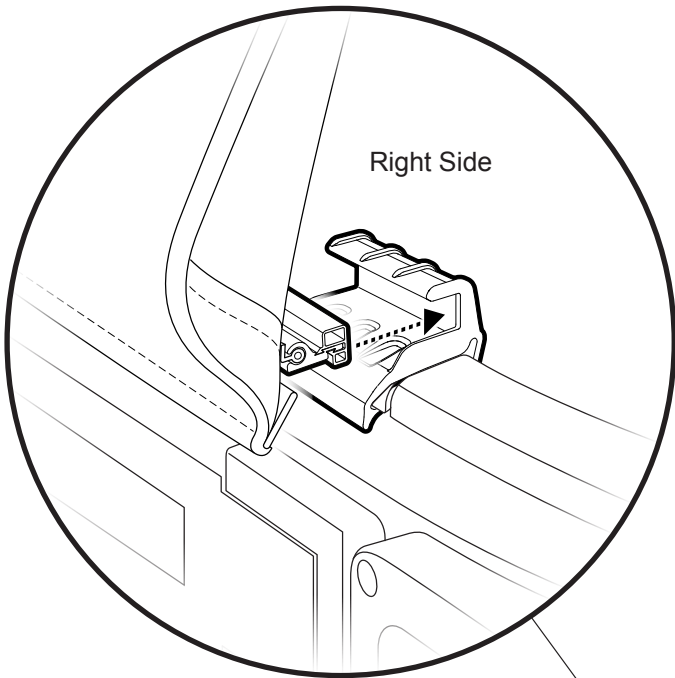
Locate the Tailgate Bar, and slide it onto the tubing attached to the bottom inside of the Rear Window.

**Step 2**

The round channel on the side of the Tailgate Bar slides over the tubing.



**Step 1** Tailgate Bar

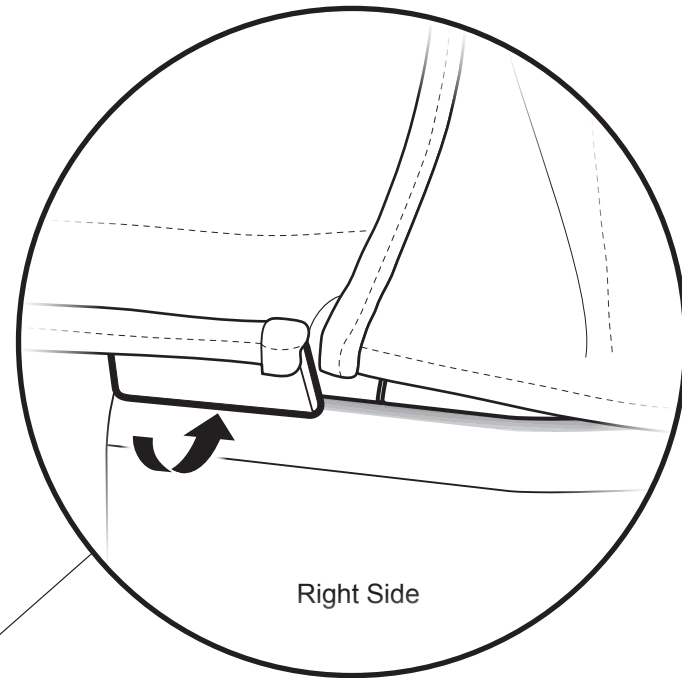


**Step 1**

Snap the front edge of the Tailgate Bar into the channel on the Tailgate Bar Mount.

Repeat for the left side.

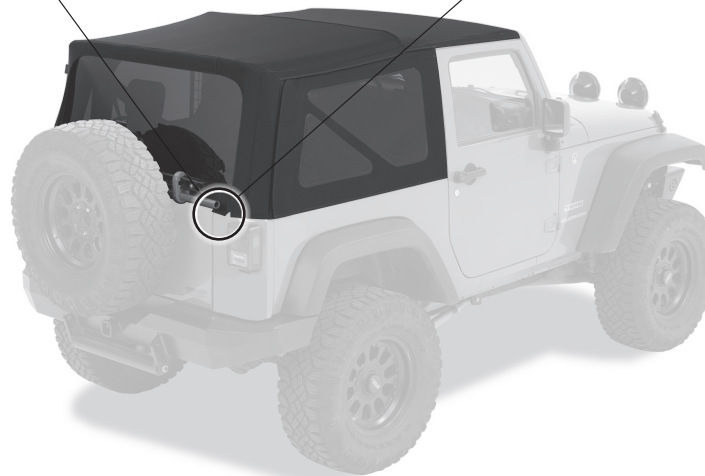
**Step 2** Rear Window Corner Tabs



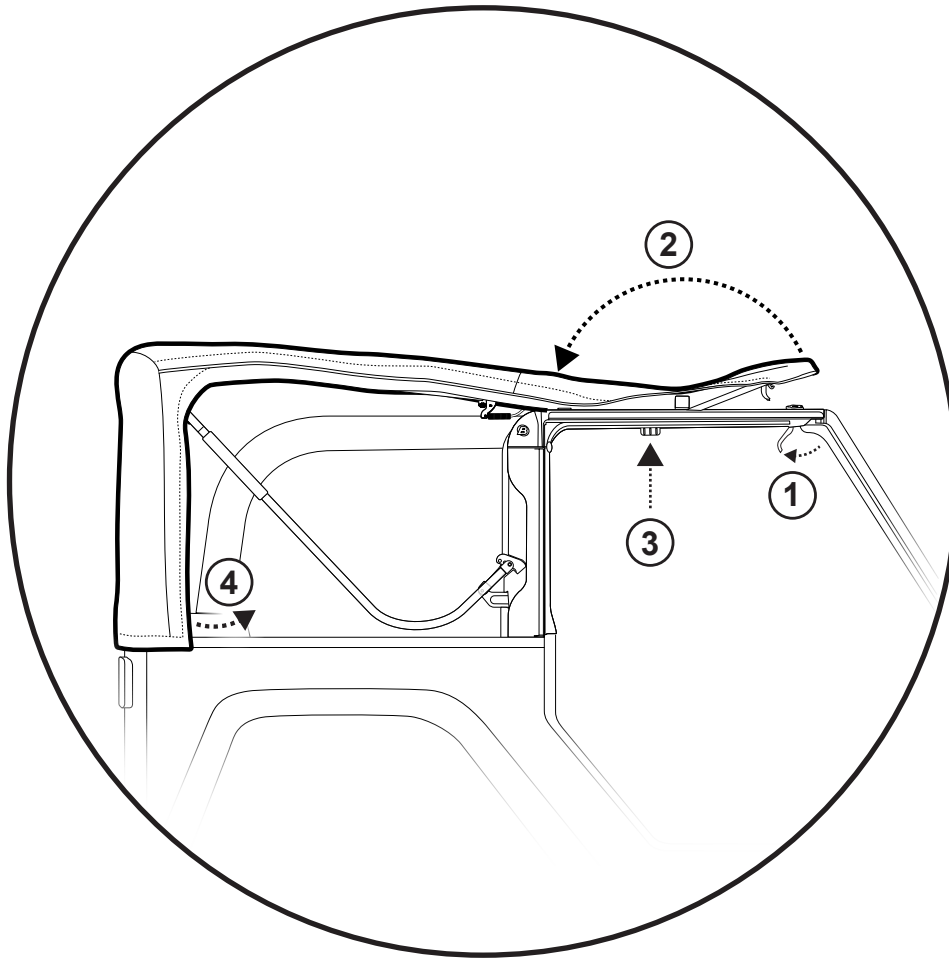
**Step 2**

Tuck the plastic tab at the bottom right corner of the Rear Window under the Jeep belt rail, by rolling it up underneath the belt rail.

Repeat for the left side.

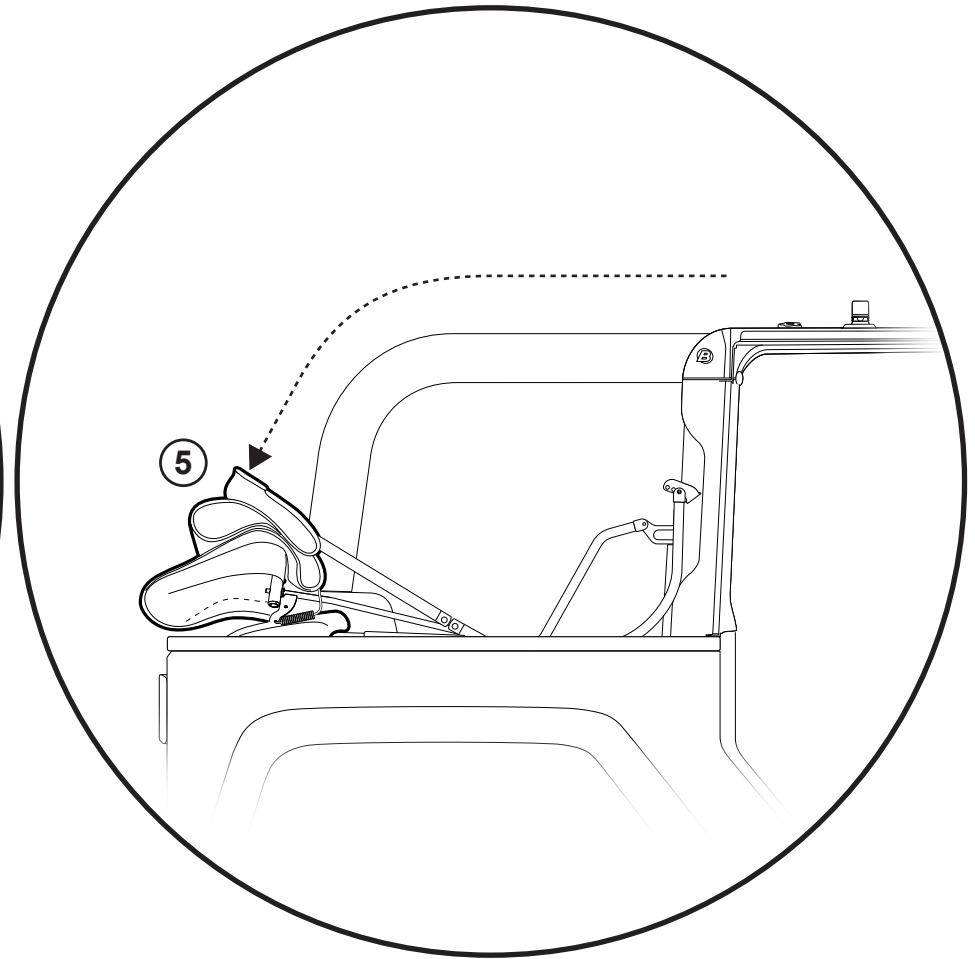


## Step 1



Remove the Side Windows, and roll up the Rear Window. To roll up the Rear Window, remove the Tailgate Bar, unzip the sides of the window up to the top, and roll the window up from the bottom, being careful not to wrinkle it. Secure the rolled up window in place with the elastic straps at the top.

## Step 2



Release the windshield latches. Fold the front header back, keeping the fabric folded neatly. Push in on the spring catch levers to release the side bows.

Lift the fabric and bow assembly and swing it back to the rear of the Jeep, resting the entire assembly on the top edge of the Jeep belt rail. Wrap the fabric around the bows, and tuck the #2 and Rear Bows under the fabric. Tuck fabric in around the edges.



## Care and Maintenance of your Bestop Product

Your Bestop product is made of the finest materials available. To keep it looking new and for the maximum possible wear, it will need periodic cleaning and maintenance.

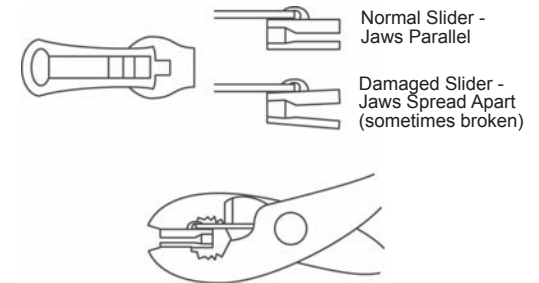
**Fabric:** The fabric should be washed often using soap, warm water and a soft bristle brush. Rinse with clear water to remove all traces of soap. Bestop recommends using Bestop Cleaner (part no. 11201-00) and Bestop Protectant (part no. 11202-00). Bestop Cleaner and Bestop protectant are specially formulated to provide a total cleaning and protection system. Bestop Cleaner safely removes the toughest stains, will not harm vehicle finishes, is biodegradable and environmentally friendly. Bestop Protectant protects against fading, cracking and hardening, and repels dust, grease, dirt and mildew.

**Windows:** Keep windows clean to avoid scratching. DO NOT use a brush on the windows! Wash with a water-soaked cloth or sponge and a mild dishwashing detergent. Bestop recommends Bestop Vinyl Window Cleaner (part no. 11203-00), which safely cleans and protects vinyl windows and helps prevent UV damage. NEVER WIPE THE WINDOWS WHEN THEY ARE DRY. Be careful when cleaning snow or frost from the vinyl windows since they are easily scratched and may crack at low temperatures. DO NOT roll the sides or rear window in cold weather. The windows become stiff and will crack. Cracks caused by misuse in cold temperatures are not covered under warranty.

**Zippers:** Keeping zippers cleaned and lubricated with Bestop's Zipper Cleaner (part no. 11206-00) will help prevent damage and keep the zippers in smooth working condition. If a zipper opens behind the slider, the slider may have been spread apart. This problem can usually be repaired by using an ordinary pair of pliers to bring the sides back into parallel. Return slider to the end of the zipper in the normal Open position. Squeeze lightly at first and test the zipper. If the zipper continues to remain open squeeze more firmly with the pliers and try the zipper again. Repeat this procedure until the zipper operates correctly.

**Water:** Seeping through at the seams may be stopped by applying 3-M Scotchgard® on the inside of the seams. Rips in the fabric may be repaired with Bondex® iron on patches. Iron the patches to the Inside of the top, carefully following the Bondex® instructions.

**Snaps:** Keep snaps cleaned and lubricated with silicone to help prevent snaps from sticking to the studs. If a snap does become stuck to a stud, use a screwdriver and GENTLY pry apart to prevent permanent damage to the snap or the top fabric.





## Cuidado y mantenimiento de su producto Bestop

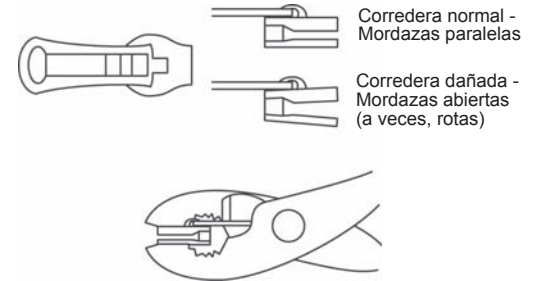
Su producto Bestop está hecho con materiales de la más alta calidad. Para mantener su apariencia nueva y alargar su uso al máximo posible, necesitará limpieza y mantenimiento periódicos.

**Tela:** debe lavar la tela con frecuencia usando jabón, agua tibia y un cepillo de cerdas suaves. Enjuague con agua limpia para eliminar todos los residuos de jabón. Bestop recomienda utilizar el Limpiador Bestop (número de parte 11201-00) y el Protector Bestop (número de parte 11202-00). El limpiador y el protector Bestop están formulados especialmente para ofrecer un sistema de limpieza y protección total. El limpiador Bestop quita las manchas más difíciles, no daña los acabados del vehículo, es biodegradable y no daña el medio ambiente. El protector Bestop protege contra la decoloración que causan los rayos UV y contra el agrietamiento y endurecimiento; además, repele el polvo, grasa, suciedad y moho.

**Cremalleras:** conserve las cremalleras limpias y lubricadas con el limpiador de cremalleras Bestop (número de parte 11206-00), que ayuda a prevenir daños y mantiene las cremalleras en óptimas condiciones de funcionamiento. Si la cremallera se abre detrás de la corredera, es posible que las mordazas de la corredera se hayan separado. Por lo general, este problema se repara fácilmente con unas pinzas comunes para volver a poner los lados en paralelo. Regrese la corredera al extremo de la cremallera en la posición abierta normal. Apriete un poco al principio y pruebe la cremallera. Si la cremallera sigue abierta, apriete con mayor firmeza con las pinzas y vuelva a probar la cremallera. Repita este procedimiento hasta que la cremallera funcione correctamente.

**Agua:** para eliminar la filtración de agua a través de las costuras, aplique cinta Scotchgard® de 3-M en la parte interior de las costuras. Los desgarres de la tela pueden repararse con parches Bondex® para aplicar con plancha. Plancha los parches en el interior del toldo, siguiendo con cuidado las instrucciones de Bondex®.

**Broches:** conserve los broches limpios y lubricados con silicona para evitar que se peguen a los corchetes de encaje. Si se quedan pegados a un corchete, use un destornillador y CON CUIDADO separe las dos piezas para evitar daño permanente al broche o a la tela del toldo.



## Soin et entretien de votre produit Bestop

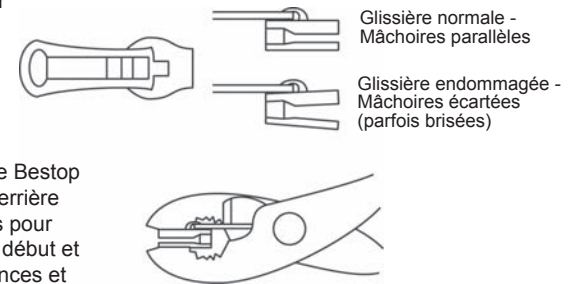
Votre produit Bestop est fabriqué des meilleurs matériaux disponibles. Il devra être nettoyé et entretenu régulièrement afin de maintenir son apparence neuve et pour une durée d'utilisation maximale.

**Tissu:** Le tissu doit être lavé régulièrement à l'aide de savon, d'eau chaude et d'une brosse à soies douces. Rincer à l'eau claire afin d'éliminer toute trace de savon. Bestop recommande d'utiliser le nettoyant Bestop Cleaner (no de pièce 11201-00) et le protecteur Bestop Protectant (no de pièce 11202-00). Le nettoyant Bestop Cleaner et le protecteur Bestop Protectant sont spécialement formulés pour fournir un système de nettoyage et de protection complet. Le nettoyant Bestop Cleaner élimine de manière sécuritaire les taches les plus tenaces, n'endommagera pas les finis du véhicule, est biodégradable et respectueux de l'environnement. Le protecteur Bestop Protectant prévient la décoloration, la fissuration et le durcissement causés par les UV, et repousse la poussière, la graisse, la saleté et les moisissures.

**Fermetures à glissière:** Maintenir les fermetures à glissière propres et lubifiées à l'aide du nettoyant Zipper Cleaner (no de pièce 11206-00) de Bestop aidera à protéger des dommages et maintiendra les fermetures à glissière en bon état de fonctionnement. Si une fermeture à glissière ouvre derrière la glissière, la glissière peut avoir été forcée au point de s'ouvrir. Le problème peut habituellement être réparé en utilisant des pinces ordinaires pour remettre les côtés parallèles. Remettre la glissière au bout de la fermeture à glissière, dans la position Ouverte normale. Serrer légèrement au début et vérifier le fonctionnement de la fermeture à glissière. Si la fermeture à glissière continue de rester ouverte, serrer plus fortement à l'aide des pinces et essayer la fermeture à glissière de nouveau. Répéter le processus jusqu'à ce que la fermeture à glissière fonctionne correctement.

**Eau:** Les infiltrations d'eau aux coutures peuvent être arrêtées par l'application de ScotchgardMD 3M sur l'intérieur des coutures. Les déchirures dans le tissu peuvent être réparées grâce aux pièces thermocollantes BondexMD. Fixer les pièces thermocollantes à l'aide d'un fer à repasser sur l'intérieur du toit, en suivant soigneusement les instructions de BondexMD.

**Boutons pression:** Maintenir les boutons pression propres à l'aide de silicone pour empêcher les boutons pression de coller aux rivets. Si un bouton pression reste collé à un rivet, utiliser un tournevis et appliquer une FAIBLE PRESSION afin d'éviter d'endommager le bouton pression ou le tissu du toit.





### **WHAT BESTOP WARRANTS**

Subject to the terms and conditions of sale, including any terms and conditions set forth by Bestop, Inc. ("Bestop" or "us" or "we") in our then-current terms of sale on our website (collectively, the "Terms"), Bestop represents and warrants that: the covered products listed in the "Covered Products and Warranty Periods" section (a "Product") will substantially be free from defects in materials and workmanship for the specified warranty periods set forth in that section.

### **THE WARRANTY IS LIMITED AND CONDITIONAL**

This warranty applies to the original purchaser of the Product only. The warranty is valid only as long as the original retail purchaser owns the vehicle upon which the Product is installed. The warranty expires should the Product be removed from the original vehicle or if the original vehicle is transferred to another owner. This warranty is not transferable or assignable. The warranty does not apply to Product bought from auction-style or price-bid websites.

THE LIMITED WARRANTY AND STATED REMEDIES ARE SOLE AND EXCLUSIVE AND IN LIEU OF ALL OTHER WARRANTIES AND REMEDIES, AND COMPANY EXPRESSLY DISCLAIMS ALL IMPLIED OR STATUTORY OR OTHER WARRANTIES, INCLUDING WITHOUT LIMITATIONS WARRANTIES OF MERCHANTABILITY, NON-INFRINGEMENT OR FITNESS FOR A PARTICULAR PURPOSE. IN NO EVENT WILL COMPANY BE LIABLE FOR ANY SPECIAL, INCIDENTAL, CONSEQUENTIAL, PUNITIVE, INDIRECT OR EXEMPLARY DAMAGES OF ANY KIND, INCLUDING LOST PROFITS OR REVENUE, HOWEVER CAUSED, WHETHER FOR BREACH OR REPUDIATION OF CONTRACT, TORT, BREACH OF WARRANTY, NEGLIGENCE, OR OTHERWISE, WHETHER OR NOT COMPANY WAS ADVISED OF THE POSSIBILITY OF SUCH LOSS OR DAMAGES.

Some states do not allow exclusion or limitation, so this may not apply to you. This warranty gives you specific legal rights, and you may have other rights which vary from state to state.

### **EXCLUSIONS TO THE WARRANTY**

The Limited Warranty excludes, and Bestop is not liable in any way for any warranty claims, damages, or defects related to:

- Misuse, abuse, accidents, vandalism, negligence, fire, or improper installation or modification, or improper or inadequate maintenance;
- Failure to comply with any Product documentation, Bestop instructions, or applicable law or regulations; use in extreme conditions
- Force Majeure including but not limited to, earthquake, hurricane, tornado, flooding, or other disasters natural or man-made, civil unrest, strikes, declared or undeclared war, or lack of performance by, or discontinued product of, supply chain partners whose products, software, operations or management is beyond the control of Bestop;
- Damage resulting in breakage (including without limitation, spontaneous breakage, accidental breakage or breakage by any other means) of a Product or any component part;
- Damage to vinyl windows due to misuse, or cracking due to varying weather conditions.

### **YOUR SOLE REMEDY**

During the applicable warranty period, Bestop shall, at its option, either repair or replace any Product that it confirms, in its discretion, is non-compliant with the warranties herein. Bestop will not pay for labor charges associated with installation or removal of the Product. Should a specific Product be discontinued, Bestop may, at its option, replace the discontinued Product with a current product or like product.

Please retain your proof of purchase. Original proof of purchase for the Product must accompany any warranty claim. If you have a warranty claim, first you must email Bestop Customer Service at [csbestop@bestop.com](mailto:csbestop@bestop.com) for instructions. All claims must be emailed to [csbestop@bestop.com](mailto:csbestop@bestop.com) within 30 days of discovery of a defective Product, but in no event later than thirty days after the end of the applicable Warranty Period (the "Warranty Notice Period"). Warranty claims made after the Warranty Notice Period are null and void and Bestop shall have no responsibility with respect to such claims.

THIS SECTION SETS FORTH BESTOP'S SOLE OBLIGATION & YOUR SOLE REMEDY WITH RESPECT TO ANY DEFECTS OR OTHER PRODUCT ISSUE. ANY PRODUCTS REPLACED UNDER TERMS OF THIS WARRANTY WILL BE COVERED UNDER TERMS & BALANCE OF THE DURATION OF THE ORIGINAL LIMITED WARRANTY FOR SUCH PRODUCT.





## Warranty Information SUPERTOP NX

Vehicle Application  
Jeep Wrangler JK 2007-2018  
Part Number 54722

**COVERED PRODUCTS AND WARRANTY PERIODS:** The warranty time periods are as follows for Products manufactured by Bestop:

### **BESTOP® LIMITED LIFETIME WARRANTY**

Trektop® Pro 2 Fabric Top Sunrider® for Hardtop Twill Fabric Top  
Trektop® NX Glide Twill Fabric Top Replace-a-Top™ Twill Fabric Top  
Trektop® NX Twill Fabric Top Supertop® NX Twill Fabric Top  
EZFold™ Soft Tonneaus Floor & Cargo Liners  
ZipRail™ Soft Tonneaus Pet Barriers  
EZRoll™ Soft Tonneaus

### **BESTOP® 5-YEAR LIMITED WARRANTY**

Trektop® NX Glide™ Top (non-Twill) Sunrider® for Hardtop (non-Twill) Replace-a-Top™ Top (non-Twill) Trektop® NX Top (non-Twill)  
Sailcloth Replace-a-Top™ Supertop® NX Top (non-Twill)  
Tigertop™ and Halftop™ Supertop® Classic Soft Top Sunrider® Complete Soft Top Supertop® for Truck  
EZ Fold Hard Tonneau

### **BESTOP® 3-YEAR/100K MILES LIMITED WARRANTY**

Powerboard® & Powerboard® NX  
Trekstep®, Side Mount  
Trekstep®, Rear Mount

### **BESTOP® 3-YEAR LIMITED WARRANTY**

Pavement Ends Sprint Top

### **BESTOP® 2-YEAR LIMITED WARRANTY**

Trektop® Classic Soft Top  
RoughRider™ Soft Storage

### **BESTOP® 1-YEAR LIMITED WARRANTY**

All other Bestop® & Pavement Ends™ products not specified above.

For further information or request for warranty work, please contact:

Bestop Inc. Customer Service  
Toll-Free: (800)845-3567  
Main: (303)465-1755  
E-mail: [csbestop@Bestop.com](mailto:csbestop@Bestop.com)  
Website: [www.Bestop.com](http://www.Bestop.com)